

## APV D4 / D4 SL

DOUBLE SEAT MIX PROOF VALVES

FORM NO.: H338531 REVISION: GB-3

READ AND UNDERSTAND THIS MANUAL PRIOR TO OPERATING OR SERVICING THIS PRODUCT.





We,

**DESIGN CENTER/MANUFACTURER:** SPX Flow Technology Germany GmbH  
Gottlieb-Daimler-Str. 13, D-59439 Holzwickede

**MANUFACTURING FACILITY:** SPX Flow Technology Poland sp. z o.o.  
Rolbieskiego 2, 85-862 Bydgoszcz, Poland

**AUTHORIZED REPRESENTATIVE:** SPX Flow Europe Ltd.  
(for UKCA) Building A, Compass House, Manor Royal  
Crawley, RH10 9PY

declare under our sole responsibility that the

**APV double seal and double seat valves** of the series  
SD4, SDT4, SDU4, SDMS4, SDMSU4, SDTMS4, SWcip4, DSV, DA4, DA4 DPF, D4 SL, DU4  
SL, DT4 SL, DP4 SL, D4, DA3, DA3SLD, DE3, DEU3, DET3, DKR2, DKRT2, DKRH2

**APV butterfly valves** of the series SV1, SVS1F, SV2, SVS2F, SVL, SVSL, SVE, SVSE

**APV ball valves** of the series BLV1

**APV single seat, diaphragm and spring loaded valves** of the series  
S2, SW4, SWhp4, SW4DPF, SWmini4, SWT4, SWS4, MF4, MS4, MSP4, AP/T1, CPV, RG4,  
RG4DPF, RGMS4, RGE4, RGE4DPF, RGEMS4, PR2, PRD2, SI2, UF/R3, UF/R4, VRA/H

and the valve manifolds installed thereof

**meet the requirements of the Machinery Directive 2006/42/EC**  
& EN ISO 12100-2010, DIN EN ISO 14159-2008-07, DIN EN 1672-2-2009-07.

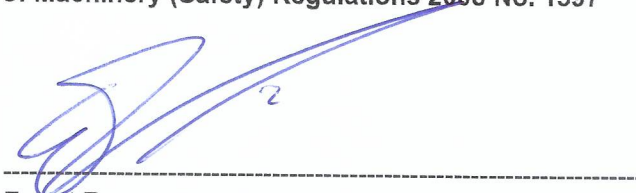
Holzwickede, November 2022



Dr.-Ing. Behdad Ariatabar, Design Center Lead - Valves

**meet the requirements of the Supply of Machinery (Safety) Regulations 2008 No. 1597**  
& BS harmonized standards.

Crawley, November 2022



Ewout Roozendaal, Director Global Pricing



<b>Content</b>	<b>Page</b>
<b>1. General Terms</b>	<b>6</b>
<b>2. Safety</b>	<b>6</b>
2.1 Symbols	
2.2 Safety Instructions	
<b>3. Intended Use</b>	<b>7</b>
<b>4. Mode of Operation</b>	<b>8</b>
4.1. General terms	
4.2. Valve in "closed" position	
4.3. Valve in "open" position	
<b>5. Control Units / Valve Position Indication</b>	<b>10</b>
5.1. Control unit and adapter	
5.2. Valve position indication	
<b>6. Cleaning</b>	<b>11</b>
6.1. Flow area	
6.2. D4 SL valve: Seat area	
6.3. Seat area and Leakage chamber	
6.4. Cleaning recommendation	
6.5. D4 SL valve: Cleaning of upper area	
6.6. D4 SL valve: Cleaning of lower area	
<b>7. Installation and Commissioning</b>	<b>13</b>
7.1. Welding Instructions	
<b>8. Dimensions / Weights</b>	<b>14</b>
8.1. D4 Valve	
8.2. D4 SL Valve	
<b>9. Technical Data</b>	<b>16</b>
9.1. General data	
9.2. Compressed air quality	
9.3. Kvs values	
9.4. Air consumption / Switching times	
9.5. Valve stroke / Opening cross section	
<b>10. Maintenance</b>	<b>19</b>
<b>11. Service Instructions</b>	<b>20</b>
11.1. Removal from the line system	
11.2. Removal of product-wetted parts	
11.3. Installation of product-wetted seals and assembly of the valve	
11.4. Installation of the valve insert	
<b>12. Maintenance of Actuator</b>	<b>24</b>
12.1. Removing the actuator screws	
12.2. Installing the seals and assembling the actuator	
<b>13. Assembly Instructions and Tools for Seals</b>	<b>25</b>
13.1. Lower shaft seal	
13.2. Middle seal	
13.3. Seat seals	
<b>14. Trouble Shooting</b>	<b>28</b>
<b>15. Spare Parts Lists</b>	<b>28</b>
D4 1,5"-4", DN40-100	RN 500.047.01
D4 6", DN125-150	RN 500.047.03
D4 SL 1,5"-4", DN40-100	RN 501.047.01
D4 SL 6", DN125-150	RN 501.047.03

## 1. General Terms

This instruction manual should be read carefully by the competent operating and maintenance personnel.

We point out that we will not accept any liability for damage or malfunctions resulting from the non-compliance with this instruction manual.

Descriptions and data given herein are subject to technical changes.

## 2. Safety

### 2.1 Symbols



#### Caution!

The technical safety symbol draws your attention to important directions for operating safety. You will find it wherever the activities described are bearing health hazards and risks for persons and / or material assets.



#### Important Note!

Critical technical information

### 2.2 Safety Instructions



**Opening of the actuators and upper shafts is strictly forbidden. Danger to health and life!**

Actuators and upper shafts which are no longer used and/or are defective must be disposed in professional manner.

Defective actuators and upper shafts must be returned  
to your SPX FLOW company  
for their professional disposal and free of charge for you.

Please address to your local SPX FLOW company.



- Never touch the valve or pipelines during hot liquid or sterilisation processes!



- Disconnect electric and pneumatic connections, e.g. before maintenance.



- Before any maintenance work, depressurize the line and cleaning system and discharge the lines if possible.

## 2. Safety



- Observe Service Instructions to ensure safe maintenance of the valve.



- Connections which are not used must be sealed by a plug!



- The safe discharge of the cleaning liquids must be ensured.



- The valves must be assembled, disassembled and reassembled only by persons who have been trained in the valves or by SPX FLOW service team members. If necessary, contact your local SPX FLOW representative.

## 3. Intended Use

The intended use as field of application of the double seat mix proof valve is the safe shut-off of pipeline sections and the separation of incompatible liquids in the food and beverage industries as well as in pharmaceutical and chemical applications.



**Caution!** The standard D4 / D4 SL valve must not be used in explosive atmospheres.



**Caution!** Arbitrary, structural changes at the valves may affect safety as well as the intended functionality of the valves and are not permitted.

SPX FLOW Valves are intended for use in the food and beverage industries, as well as in pharmaceutical and chemical applications.

SPX FLOW Valves (without safety function) are allocated to Category 1 and are evaluated as per Conformity Assessment Module A of the Pressure Equipment Directive 2014/68/EU. According to Article 13, the following allocation applies for the fluids processed in the valves.

Product media – Fluid group 2 – valves in all dimensions.

CIP-cleaning liquids – Fluid group 1 – valves in the dimensions ≤ DN100/4" can be used at temperatures up to 140 °C, valves in the dimensions > DN100/4" at temperatures up to 100 °C.

### Authorizations and External Approvals

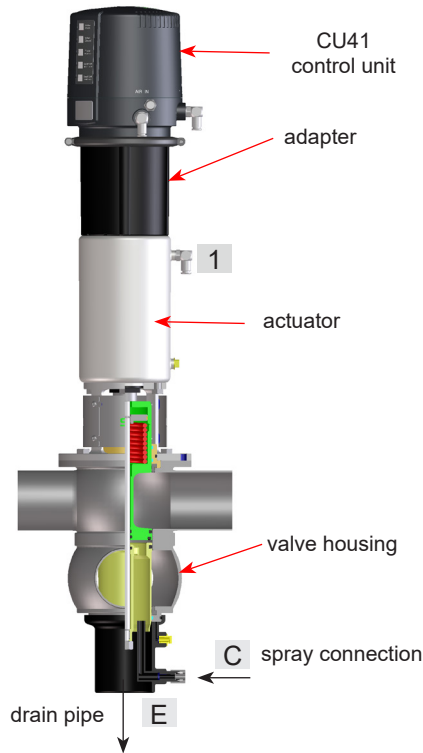
To view the certifications for this and other innovative SPX FLOW products, visit

<https://www.spxflow.com/en/apv/about-us/certifications/>

It is within the responsibility of the plant operator to evaluate and verify the suitability of SPX FLOW products for the intended purpose and service conditions, as well as to determine and follow the applicable laws for the intended applications and areas of application.

## 4. Mode of Operation

fig. 4.1. D4 valve



### 4.1. General terms

Due to its construction and mode of operation as well as to the use of high quality stainless steel and adequate seal materials, the D4 and D4 SL double seat mix proof valves are suited for applications in the food and beverage industries as well as in pharmaceutical and chemical applications.

- The D4 and D4 SL valves separate two line passages by two balanced and independently operating valve shafts with an intervening leakage chamber.
- The valve opens from the top to the bottom in a low-leakage design.
- Leakages are discharged via the drain pipe (E) in depressurized state.
- The pneumatic actuator opens the valve via the air connection (1). The spring force resets the valve into the “closed” safe position.
- The standard D4 valve is equipped with a non-seat lift actuator and a CU41 control unit.
- The standard D4 SL valve is equipped with an actuator including seat lift function and a CU43 control unit.
- D4 SL valve:  
Cleaning of the seat is controlled via the air connections.  
2 = to lift upper shaft  
3 = to lift lower shaft
- The spray connection (C) cleans the leakage chamber.
- As an option, the closed and open positions of the D4 and D4 SL can be detected via proximity switches.

fig. 4.1.1. D4 SL valve

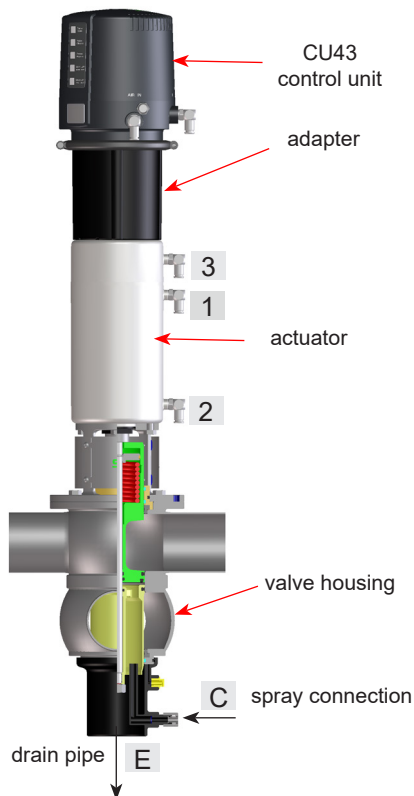
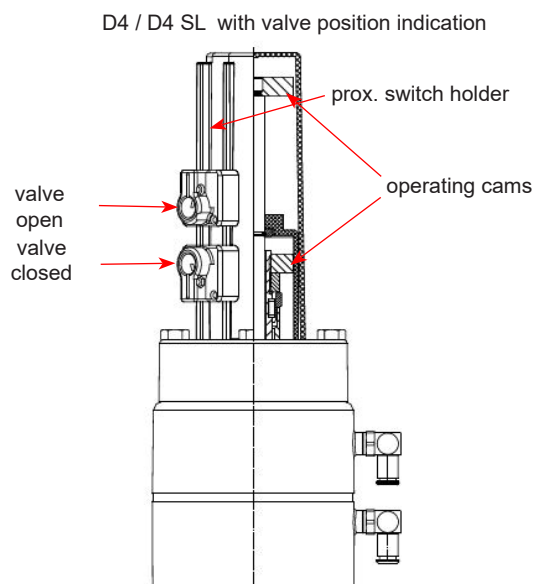


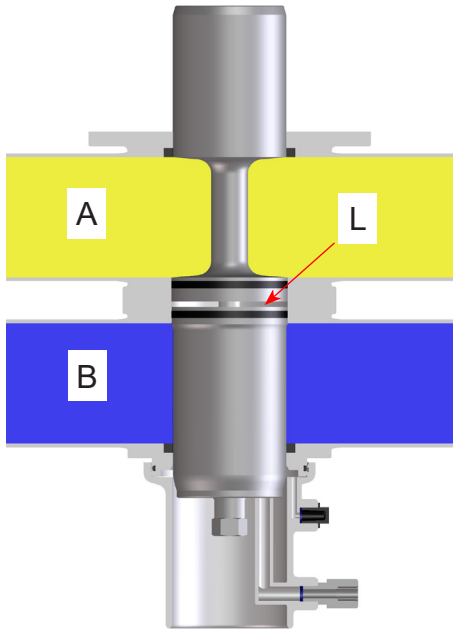
fig. 4.1.2.





## 4. Mode of Operation

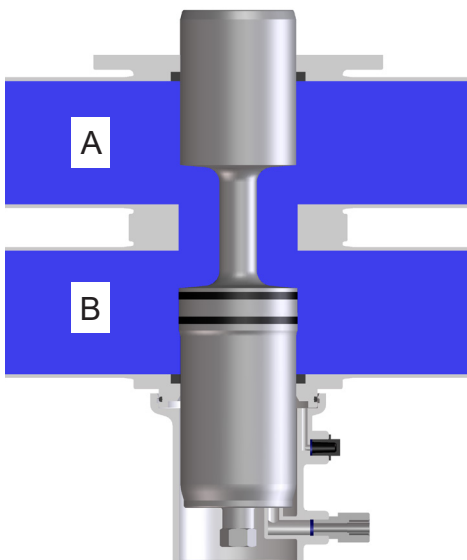
fig. 4.2.



### 4.2. Valve in "closed" position

The lower and upper valve shaft are in closed position and safely separate the different liquids A and B. The leakage chamber L, which is situated between the two valve shafts, provides for a free and depressurized discharge to the bottom. The valve shafts are balanced and protected against pressure hammer.

fig. 4.3.



### 4.3. Valve in "open" position

The upper valve shaft is pressed against the seal of the lower valve shaft by control of the actuator. First, the leakage chamber L is closed against the product chamber. Then the two valve shafts move downwards into the open position. The connection between the two pipelines A and B is established.

## 5. Control Units / Valve Position Indication

### CU4 control unit



#### 5.1. Control unit and adapter

An adapter is required to assemble the control unit on the D4/D4 SL valve.

All CU4's are available in communication protocols:

- AS-I
- Direct Connect
- IO-link
- AS-I 5

For available control units and adapters, see spare part list:  
RN 500.047.01, RN 500.047.03, RN 501.047.01, RN 501.047.03

#### 5.2. Valve position indication

Proximity switches to signal the closed and open position of the valve can be installed at the proximity switch holder.

We recommend using one of these standard types:

three-wire proximity switch  
operating distance: 5 mm  
diameter: 11 mm  
operating voltage: 10–30 V DC  
pnp pulse-shifting, closing function  
"non-flush" installation

Recommendation:

Proximity switch 24V DC, PNP, 11 mm DIA. (5 m cable): H16223  
Proximity switch 24V DC, PNP, 11 mm DIA. (cable box): H16432

If the customer decides to use valve position indicators other than those listed above, SPX FLOW cannot assume any liability for the functionality of the valve.

## 6. Cleaning

In the cleaning process of the valves, distinction is made between the following areas: Flow areas, Seat area, and Leakage chamber.

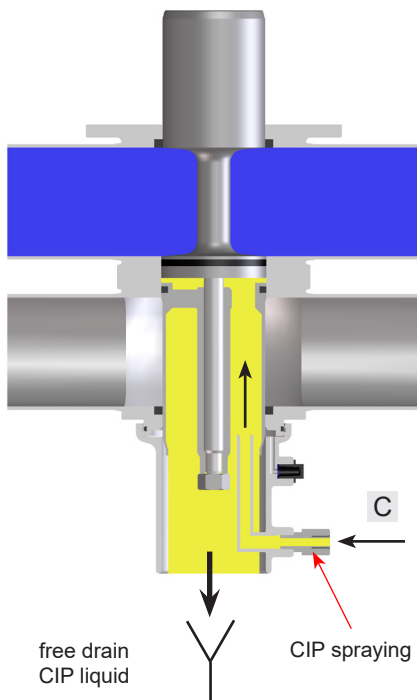
### 6.1. Flow area

The CIP-fluid cleans the upper and lower passages of the valve during CIP.

### 6.2. D4 SL valve: Seat area (chapters 6.5. and 6.6.)

The seat area and leakage chamber are cleaned through lifting of the individual valve shafts during cleaning of the respective passage.

fig. 6.3.



### 6.3. Seat area and Leakage chamber

CIP spraying cleans the seat area and the leakage chamber. The cleaning connection is at item C in fig. 6.3.

**D4 valve:** CIP spraying must generally be undertaken.

CIP spraying does not produce pressure build-up in the leakage chamber. SPX FLOW recommends performing CIP-spraying in the closed valve position; however, it can also be done in the open valve position.

Under standard conditions 15 valves DN 40-100 / 1,5"-4", 10 valves DN 125-150 / 6" can be cleaned via one spray distribution line DN 25.

### 6.4. Cleaning recommendation

Cleaning steps	Seat lifting cycle (D4 SL)	CIP spraying
pre-flushing	–	3 x 10 sec.
caustic flushing 80°C	3 x 5 sec.	3 x 10 sec.
intermediate flushing	2 x 5 sec.	2 x 10 sec.
acid flushing	3 x 5 sec.	3 x 10 sec.
subsequent flushing	2 x 5 sec.	2 x 10 sec.

- **D4 SL Valve:** The lifting cycles refer to a cleaning pressure of  $p = 2-5$  bar.
- Depending on the pressure ratio, cleaning temperatures, cleaning steps and degree of soiling, time and number of cycles must be adjusted.
- Flushing quantities per CIP spraying cycle:
 

DN40-100/1,5-4"	about 1,2 ltr/10s
DN125-150/6"	about 5,0 ltr/10s
- Cleaning pressure at CIP cleaning connection:
 

min. 2 bar
max. 5 bar

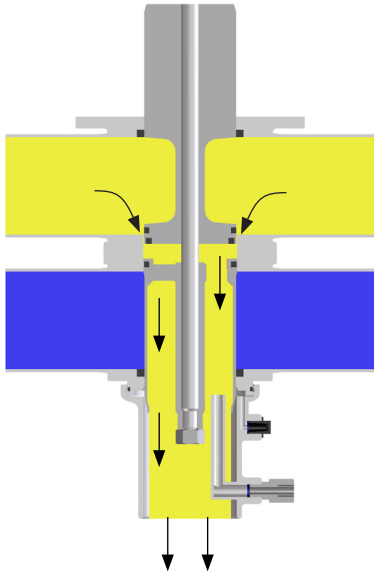


#### Caution!

The cleaning liquid applied must be compatible with the respective seal material.

## 6. Cleaning

fig. 6.5.



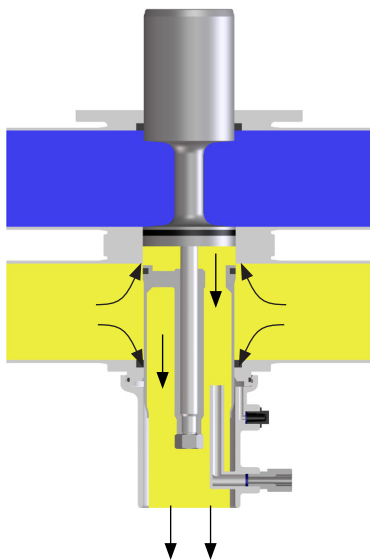
### 6.5. D4 SL valve: Cleaning of upper area (fig. 6.5.)

The upper valve shaft is lifted via connection (2), as shown in fig. 4.1.1 on page 8.

Through the lifting of the upper valve shaft, the cleaning fluid flushes over the upper seat seal and the upper valve seat into the leakage chamber and cleans this area. The cleaning fluid is drained off to the bottom in a depressurized state.

The lifting stroke is limited by a stop in the actuator.

fig. 6.6.






### 6.6. D4 SL valve: Cleaning of lower area (fig. 6.6.)

The lower valve shaft is lifted via connection (3), as shown in fig. 4.1.1 on page 8.





Through the lifting of the lower valve shaft, the cleaning fluid flushes over the lower seat seal into the leakage chamber and cleans this area. The cleaning fluid is drained off to the bottom in a depressurized state.

The lifting stroke is limited by a stop in the actuator.

## 7. Installation and Commissioning

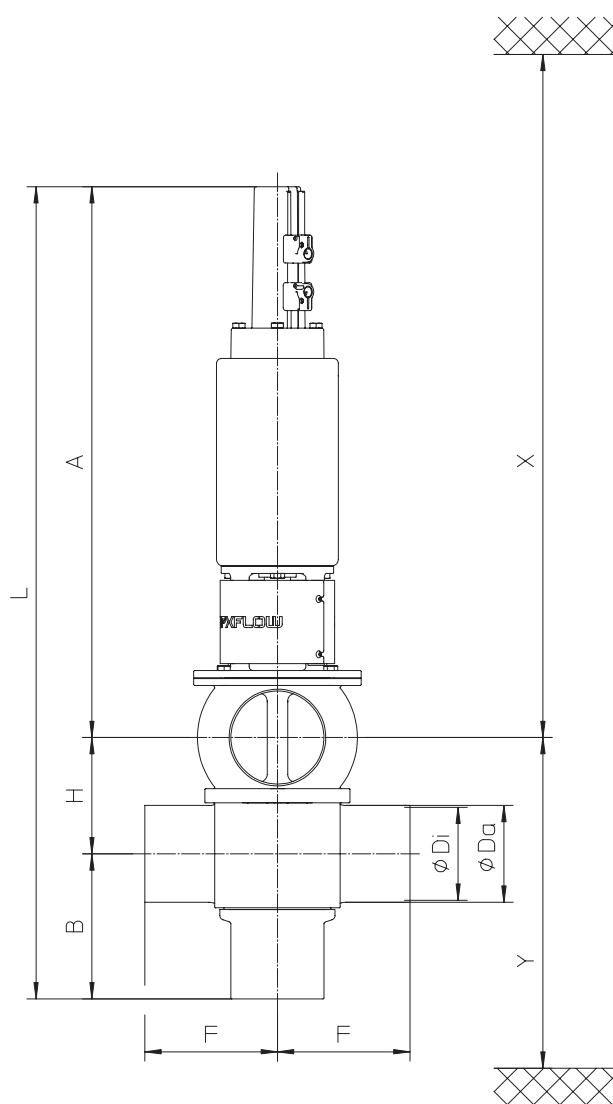
- The valve must be installed in vertical position to ensure that fluids can drain off freely from the valve housing and the leakage chamber.
-  **Caution!** Leakages and fluid losses from seat lifting and CIP-spraying must be safely collected and drained!
- The valve housing can be welded directly into the pipeline (completely removable valve insert).
-  **Note!** Observe welding instructions.
- Observe heights of installation and dismantling!
-  **Caution!**  
**Before first startup:**
- Actuate the valve by applying compressed air. The opening, closing and shaft lifting processes must run smoothly.
  - Check the function of the control unit or valve position indication.
  - Check for possible leakages during commissioning. Replace defective seals.

### 7.1. Welding Instructions

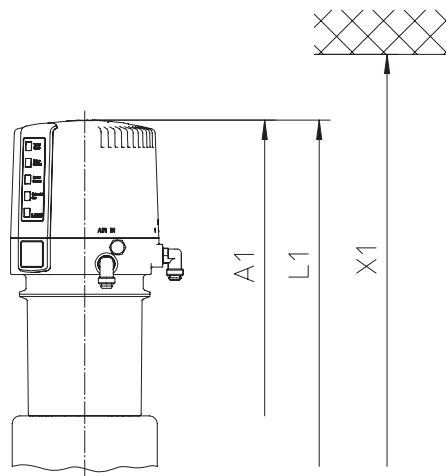
- Before welding the valve, remove the valve insert from the housing.
-  **Caution!** Handle and store the valve insert carefully to avoid damaging the parts.
-  **DN40-100/1,5-4"':** Remove the lower shaft seal and guide ring from the housing.
-  **DN125-150/6"':** It is not necessary to remove the lower shaft seal as it can be damaged during dismantling.
- Welding should only be carried out by certified welders (DIN EN ISO 9606-1) (seam quality DIN EN ISO 5817).
  - The welding of the valve housings must be undertaken in such a way that the valve body is not deformed.
  - The preparation of the weld seam up to 3 mm thickness must be carried out as a square butt joint without air. Consider shrinkage!
  - TIG orbital welding is recommended.
-  **Caution!** After welding the valve housing or mating flanges, and after performing any work on the piping, do not operate the valves until the corresponding areas of the installation and piping have been cleaned and welding residue has been removed. If the piping is not cleaned before operation, welding residue and dirt particles can settle in the valves and cause damage to the valves and seals.
- If these welding instructions are not followed, any resulting damage will not be covered by the warranty.
  - Welding directives for aseptic applications shall be drawn from the AWS/ANSI Directives and EHEDG Guidelines.

## 8. Dimensions / Weights

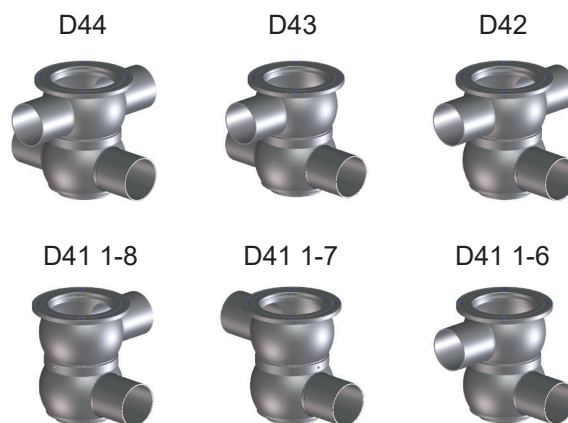
### 8.1. D4 Valve



CU4 control unit



housing configuration

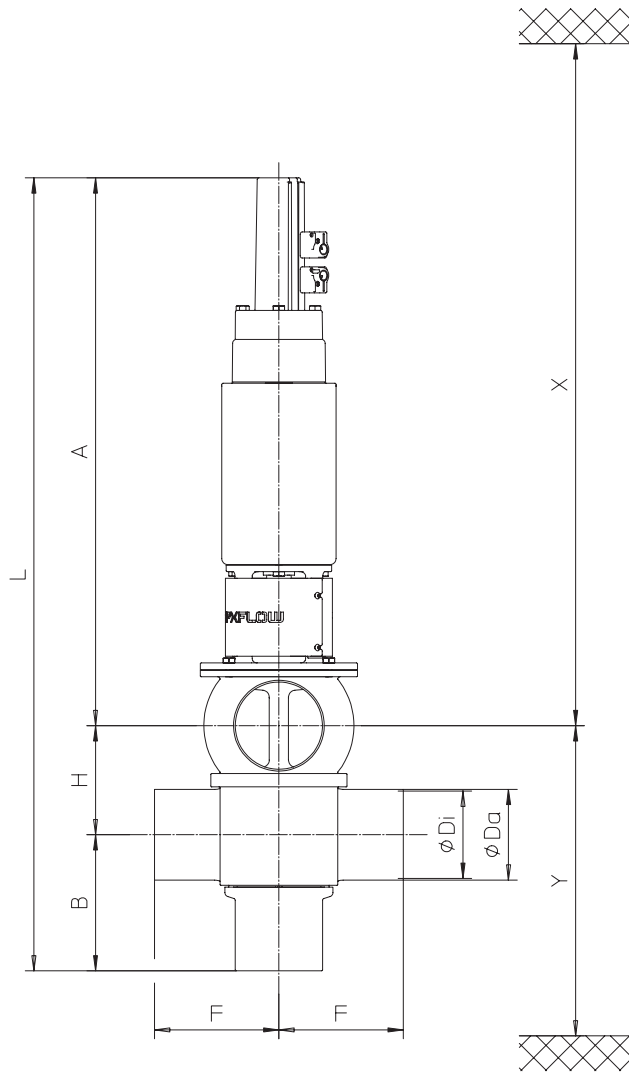


Dimensions in mm										install. dimen. min. in mm			weights in kg with CU
DN	A	A1	B	Ø Da	Ø Di	F	H	L	L1	X*	X1*	Y*	
40	483	566	120	41	38	125	63	666	749	710	790	200	14,9
50	487	570	126	53	50	125	75	688	771	740	820	218	15,0
65	495	578	134	70	66	125	91	720	803	780	860	242	16,6
80	583	666	146	85	81	142,5	106	835	918	890	980	274	25,5
100	593	676	156	104	100	142,5	125	874	957	940	1020	303	25,9
125	677	760	179	129	125	150	150	1006	1089	1030	1115	350	41,0
150	725	793	194	154	150	150	175	1094	1162	1075	1160	390	49,0
Inch													
1,5"	483	566	119	38,1	34,8	125	63	667	750	710	790	199	14,9
2"	487	570	125	50,8	47,6	125	75	688	771	740	820	217	15,0
2,5"	495	578	131	63,5	60,3	125	85,3	708,3	791,3	760	840	234	15,7
3"	583	666	137	76,1	72,9	125	97,9	732,9	815,9	790	880	252	16,1
4"	593	676	155	101,6	97,6	142,5	125	874	957	940	1030	302	25,3
6"	727	794	193	152,4	146,9	150	175	1095	1162	1080	1165	390	49,0

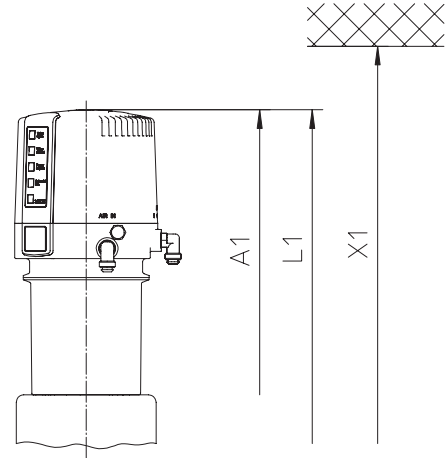
\*Minimum installation and valve insert removal dimensions

## 8. Dimensions / Weights

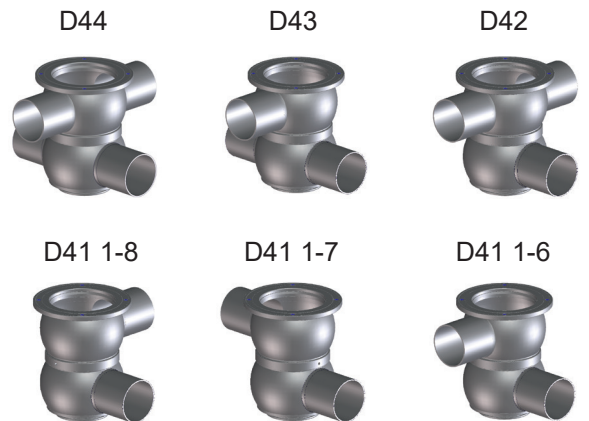
### 8.2. D4 SL Valve



#### CU4 control unit



#### housing configuration



Dimensions in mm										install. dimen. min. in mm			weights in kg with CU
DN	A	A1	B	Ø Da	Ø Di	F	H	L	L1	X*	X1*	Y*	
40	524	607	120	41	38	125	63	707	790	750	830	200	15,5
50	528	611	126	53	50	125	75	729	812	780	860	218	15,6
65	536	619	134	70	66	125	91	761	844	820	900	242	17,2
80	618	701	146	85	81	142,5	106	870	953	925	1010	274	25,5
100	628	711	156	104	100	142,5	125	909	992	980	1060	303	25,9
125	677	760	179	129	125	150	150	1006	1089	1030	1115	350	41,0
150	725	793	194	154	150	150	175	1094	1162	1075	1160	390	53,5
Inch													
1,5"	526	609	119	38,1	34,8	125	63	708	791	750	840	199	15,5
2"	529	612	125	50,8	47,6	125	75	729	812	780	860	217	15,6
2,5"	534	617	131	63,5	60,3	125	85,3	750,3	833,3	800	890	234	16,3
3"	540	623	137	76,1	72,9	125	97,9	774,9	857,9	830	920	252	16,7
4"	629	712	155	101,6	97,6	142,5	125	909	992	980	1060	302	25,9
6"	727	794	193	152,4	146,9	150	175	1095	1162	1080	1165	390	53,5

\*Minimum installation and valve insert removal dimensions

## 9. Technical Data

### 9.1. General data

Product-wetted parts	1.4404, 316L (DIN EN 10088)
Other parts	1.4301,304 (DIN EN 10088)
Seals	
DN40–100/1,5"-4" standard	EPDM
DN40–100/1,5"-4" options	HNBR, FPM
DN125-150, 6" standard	EPDM/PTFE compound
DN125-150, 6" options	HNBR/PTFE compound FPM/PTFE compound
Max. line pressure	10 bar
Max. operating temperature	135 °C EPDM, HNBR FPM*
Short-term load	140 °C EPDM, HNBR FPM* *no steam
Valves > DN100/4"	CIP cleaning liquids up to 100 °C
Tightening torque for stop sleeve	10 Nm
Tightening torque for safety nuts at lower and upper valve shaft	40 Nm
Spray connection	PP (polypropylene)
Ø Cleaning connection	
DN 40–100/1,5-4"	8 x 1 mm
DN 125-150/6"	10 x 1 mm
Ø Air connection	6 x 1 mm, 1/4" OD
Max. pneumatic air pressure	8 bar
Min. pneumatic air pressure	5 bar

### 9.2. Compressed air quality

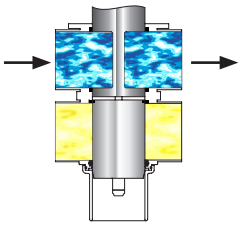
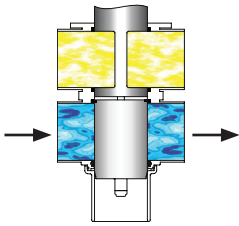
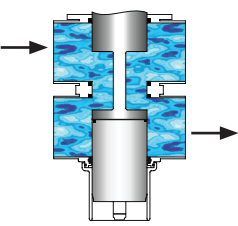
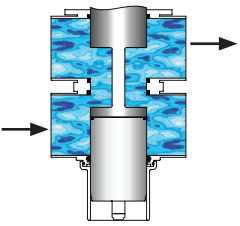
Quality class	acc. to DIN ISO 8573-1
Content of solid particles	quality class 3, max. size of solid particles per m <sup>3</sup> 10000 of 0,5 µm < d < 1,0 µm 500 of 1,0 µm < d < 5,0 µm
Content of water	quality class 3, max. dew point temperature -20°C For installations at lower temperatures or at higher altitudes, consider additional measures to reduce the pressure dew point accordingly.
Content of oil	quality class 1, max. 0,01 mg/m <sup>3</sup>

The oil applied must be compatible with Polyurethane elastomer materials.



## 9. Technical Data

### 9.3. Kvs values in m<sup>3</sup>/hr

								
<b>DN</b>	<b>D4</b>	<b>D4 SL</b>	<b>D4</b>	<b>D4 SL</b>	<b>D4</b>	<b>D4 SL</b>	<b>D4</b>	<b>D4 SL</b>
40	49	48	44	44	33	24	33	24
50	94	91	75	75	53	48	52	46
65	170	184	150	150	83	74	80	74
80	211	210	170	170	135	131	132	126
100	369	370	246	246	174	170	155	156
125	588	588	380	380	270	270	258	258
150	844	844	567	567	393	393	371	371
<b>Inch</b>								
1,5"	43	42	38	38	31	24	30	23
2"	87	83	71	71	51	46	51	46
2,5"	156	147	122	122	74	67	72	67
3"	192	183	160	160	88	83	85	82
4"	359	367	237	237	170	167	152	156
6"	808	808	548	548	386	386	370	370

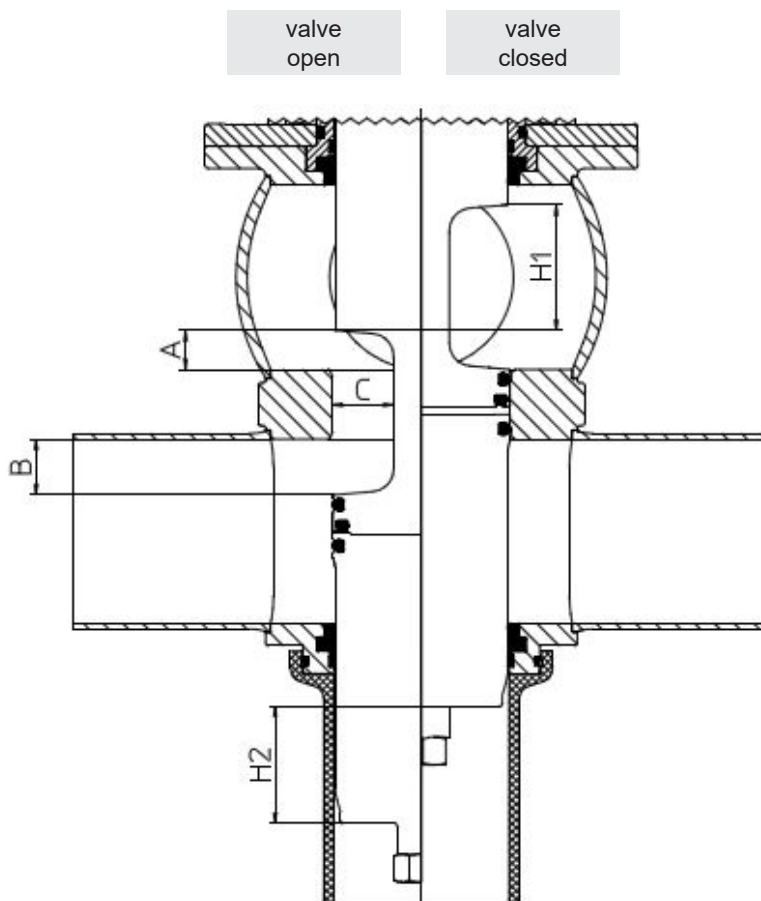
### 9.4. Air consumption / Switching times

<b>D4 Valve</b>		Air consumption at 5 bar	Switching times in seconds at 5 bar / CU41	
<b>DN</b>	<b>Inch</b>	Actuator	Open	Closed
40	1,5"	NL/stroke valve open	1,0	1,4
50	2"	NL/stroke valve open	1,1	1,7
65	2,5"	NL/stroke valve open	1,7	2,0
	3"	NL/stroke valve open	1,7	2,0
80	4"	NL/stroke valve open	2,6	3,3
100		NL/stroke valve open	2,6	3,3
125		NL/stroke valve open	3,4	5,2
150	6"	NL/stroke valve open	3,5	9,3

<b>D4 SL Valve</b>		Air consumption at 5 bar			Switching times in seconds at 5 bar / CU43	
<b>DN</b>	<b>Inch</b>	Actuator	Seat lift actuator		Open	Closed
		NL/stroke valve open	NL/stroke upper seat lift	NL/stroke lower seat lift		
40	1,5"	1,5	3,4	0,22	1,5	1,7
50	2"	1,7	3,4	0,22	1,5	1,7
65	2,5"	1,8	3,4	0,22	1,6	1,9
	3"	2	3,4	0,22	1,7	2,0
80	4"	3,7	7,7	0,22	2,6	3,3
100		3,7	7,7	0,22	2,6	3,3
125		5,5	10,5	0,22	3,4	5,2
150	6"	8,6	16,5	0,74	3,5	9,3

## 9. Technical Data

### 9.5. Valve stroke / Opening cross section



D4 Valve: Dimensions in mm					
DN	A	B	C	stroke H1 upper shaft	stroke H2 lower shaft
40	6	7	22	32	29
50	13	12	22	37	34
65	21	20	22	45	42
80	30	25	36	50	47
100	49	25	36	50	47
125	58	35	43	60	57
150	78	40	53	65	62
Inch					
1,5"	6	7	22	32	29
2"	13	12	22	37	34
2,5"	15,3	20	22	45	42
3"	27,9	20	22	45	42
4"	49	25	36	50	47
6"	78	40	53	65	62

D4 SL Valve: Dimensions in mm					
DN	A	B	C	stroke H1 upper shaft	stroke H2 lower shaft
40	4	4	22	29	26
50	9	9	22	34	31
65	13	12	22	45	42
80	24	25	36	50	47
100	43	25	36	50	47
125	58	35	43	60	57
150	78	40	53	65	62
Inch					
1,5"	4	4	22	29	26
2"	9	9	22	34	31
2,5"	14,3	14	22	39	36
3"	20,9	20	22	45	42
4"	43	25	36	50	47
6"	78	40	53	65	62

## 10. Maintenance



### Note!

The maintenance intervals are different depending on the application and must be determined by the operator performing regular checks.

- Compressed air is not required to remove the valve.



### Caution!

Do not clean the valve with products containing abrasive or polishing substances. Abrasive and polishing agents are especially harmful to the upper and lower shaft.



### Required tools for standard maintenance:

- 1 x wrench SW13, SW24, SW30, SW32
- 1 x wrench SW36
- 2 x wrench SW17
- 1 x Allen key SW3, SW6
- long hook with 45° tip or long nose pliers
- pick tool for O-ring and rubber seal removal
- double joint forceps
- assembly stick D4 for assembly of lower shaft seal, see page 25
- disassembly and assembly tool for lower shaft seal, see page 25
- assembly tool for middle seal, see page 26
- assembly tool for seat seals, see page 27
- 2 long M8 hex screws for safe removal of valve insert
- For valve maintenance SPX FLOW offers complete seal kits (see spare parts lists).



### Caution!

The use of seal materials being compatible with the product, application and CIP liquids must be ensured. In case of doubt, contact your local SPX FLOW representative.

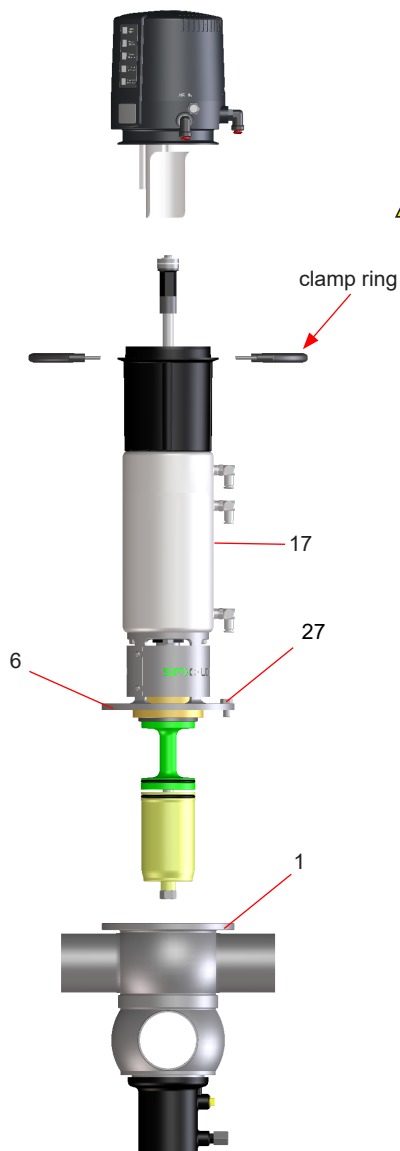
- For seal replacement instructions, see section 11.2 to 11.3.
- Provide all seals with a thin layer of grease before their installation!  
Recommendation:  
Assembly grease for EPDM, HNBR and FPM (Viton)  
0,75 kg/tin - ref.-No. 000 70-01-019/93; H147382  
60 g/tube - ref.-No. 000 70-01-018/93; H147381
- Provide all screws and threaded parts with grease before their installation.  
Recommendation: Klüber paste UH1 84-201  
60 g/Tube - ref.-No. 000 70-01-016/93; H147379  
Recommendation for actuator:  
Pneumatic grease:  
25 ml/tube - ref.-No. 000 70-01-008/93; H164725
- For valve assembly instructions, see section 11.3.

## 11. Service Instructions

The item numbers refer to the spare parts drawings

D4 1,5"-4", DN40-100	RN 500.047.01
D4 6", DN125-150	RN 500.047.03
D4 SL 1,5"-4", DN40-100	RN 501.047.01
D4 SL 6", DN125-150	RN 501.047.03

fig. 11.1.



For the Disassembly/Assembly tools, see chapter 13.

### 11.1. Removal from the line system

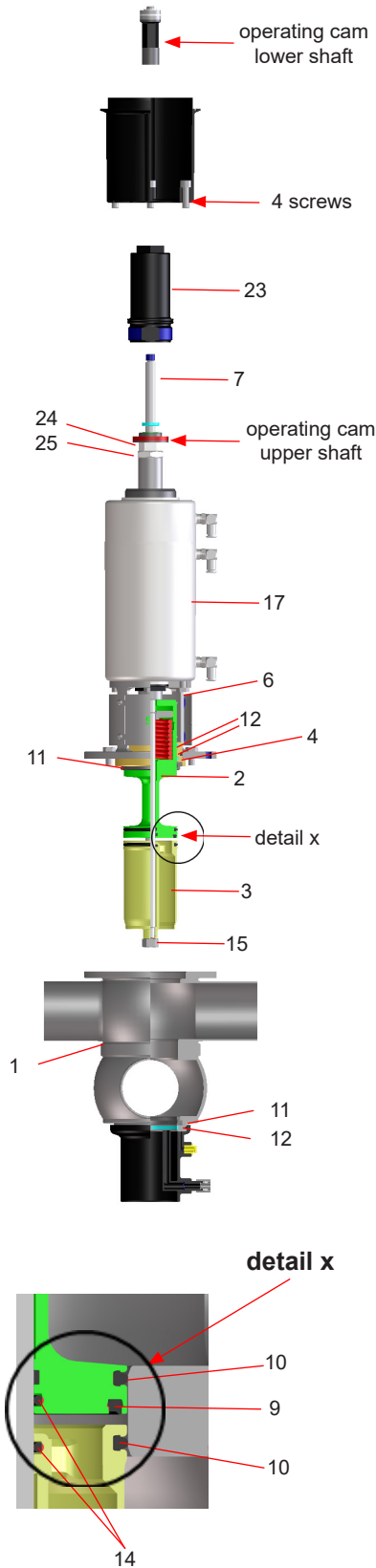


#### Caution!

1. Shut off the line pressure in the product and cleaning lines, and discharge the pipes if possible.
2. Remove the compressed air lines from the valve actuator (17).
3. Release the 2 screws at the clamp rings and lift the control unit off the adapter.
4. Design with proximity switch holder:  
Release the screws at the proximity switch holder and lift off the proximity switch holder.
5. Remove the flange screws (27) in the yoke (6). For additional safety, replace two flange screws with longer screws that are partially threaded into the flange. Once these longer screws are in place, the other two flange screws can be safely removed.
6. Screw one flange screw (27) into the threaded bore of the yoke (6) to lift the complete valve insert. Do not remove the screw. It helps to re-install the valve insert.
7. Carefully lift the valve insert vertically out of the valve housing (1).

## 11. Service Instructions

fig. 11.2.



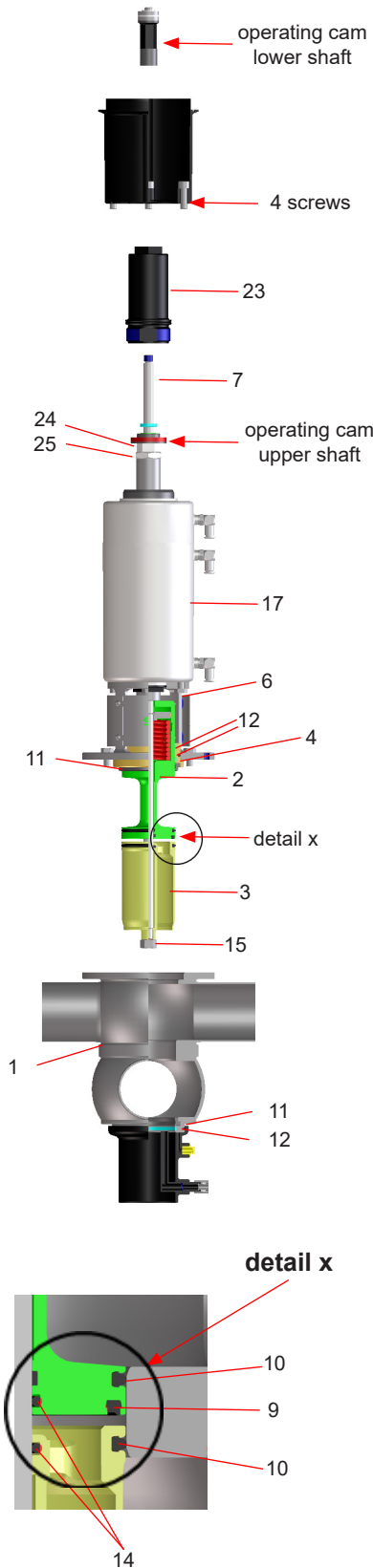
For the Disassembly/Assembly tools, see chapter 13.

### 11.2. Removal of product-wetted parts

1. Remove the operating cam from the guide rod (7).
2. In order to take off the adapter, remove the 4 screws.
3. Release the lower safety nut (15). Hold the lower shaft (3) with an SW17 wrench to keep it from turning.
4. After removing the nut (15), lift off the lower shaft (3).
5. Place the point of the tool along the side of the seat seal (10) and pull it out of the groove. Take the quad ring (14) out of the groove.
6. Remove the stop screw (23).
7. Take the guide rod (7) out through the top of the actuator.
8. Remove the operating cam at the upper shaft.
9. Unscrew the safety nut (24). Hold up the lock washer (25) with a SW30 key to keep it from turning. Remove the lock washer.
10. Lift off the actuator (17) with yoke (6).
11. Slide the shaft bearing (4) over the balancer of the upper valve shaft (2).
12. Remove the shaft seal (11), DN125/150,6" also (11.1), and guide rings (12) from the grooves.
13. Removing the seals in the upper shaft  
Place the point of the tool along the side of the seat seal (10) and middle seal (9) and pull them out of the groove. Take the quad ring (14) out of the groove.
14. Removing the lower shaft seal from the housing  
Place the point of the disassembly tool along the side of the shaft seal (11) and pull it out through the top of the housing (1).
15. Only applies for sizes DN40-100, 1,5"-4": Place the metal point of a hook in the gap of the guide ring (12). Slightly turn the hook to lift the guide ring (12) out of the groove and housing (1).

## 11. Service Instructions

fig. 11.3.



For the Disassembly/Assembly tools, see chapter 13.

### 11.3. Installation of product-wetted seals and assembly of the valve



**Note!**

Make sure that all seals and bearing surfaces in the product area are slightly greased before their installation.

1. Only applies for sizes DN40-100, 1,5"-4": Install the guide ring (12) in the lower flange of the housing (1) using a double joint forceps or long nose pliers.
2. Install the lower shaft seal (11), DN125/150,6" also (11.1), in the lower housing flange. For the small size, we recommend using the 2 insertion tools, see chapter 13.
3. Install the quad ring (14) in the upper shaft (2) and lower shaft (3).
4. Insert the middle seal (9) in the upper shaft (3) using the assembly tool (see chapter 13.2).
5. Insert the 2 seat seals (10) in the grooves of the upper shaft (2) and lower shaft (3).
6. Install the shaft seal (11) and the two guide rings (12) in the shaft bearing (4).
7. Slide the shaft bearing (4) over the balancer of the upper shaft (2).
8. Slide the upper shaft (2) and the shaft bearing (4) through the yoke (6) and actuator (17).
9. Align key and fasten the upper valve shaft (2) with the lock washer (25) and safety nut (24). Hold the lock washer (25) with a SW30 wrench to keep the lock washer from turning.  
Tightening torque:  $M_d = 40 \text{ Nm}$



**Caution!**

Overtightening of the safety nut could result in thread damage on the upper shaft.

10. Screw the operating cam on the upper shaft.
11. Ensure the key is secure on the guide rod. Slide in the guide rod (7) from the top through the actuator (17) until it stops.
12. Screw in the stop screw (23) until it stops.  
Tightening torque  $M_d = 10 \text{ Nm}$   
The stop screw must be flush with the top of the collar (D4) or piston (D4 SL).
13. Slide the lower valve shaft (3) on the guide rod (7). Align the lower shaft to the key on the guide rod and fasten it with the safety nut (15). Tightening torque:  $M_d = 40 \text{ Nm}$
14. Fasten the adapter on the actuator with the 4 screws and ensure that the air fittings on the CU will align properly with the air fittings on the D4 valve.
15. Screw the operating cam on the guide rod (7).

## 11. Service Instructions

fig. 11.4.

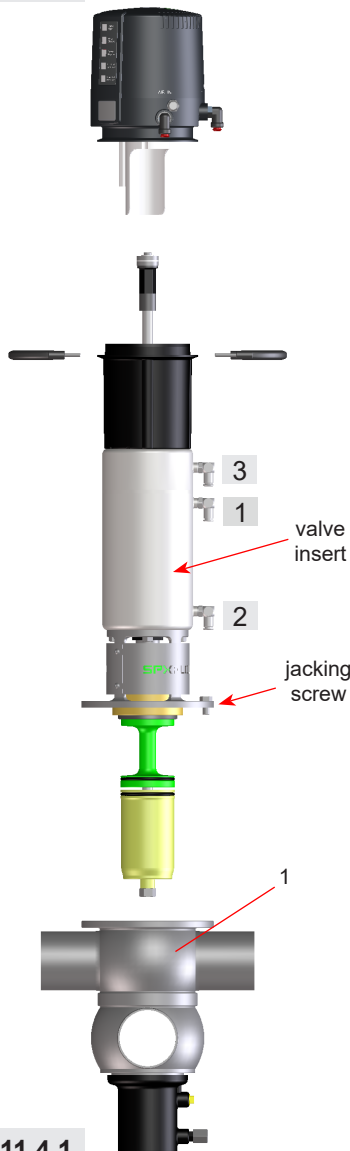
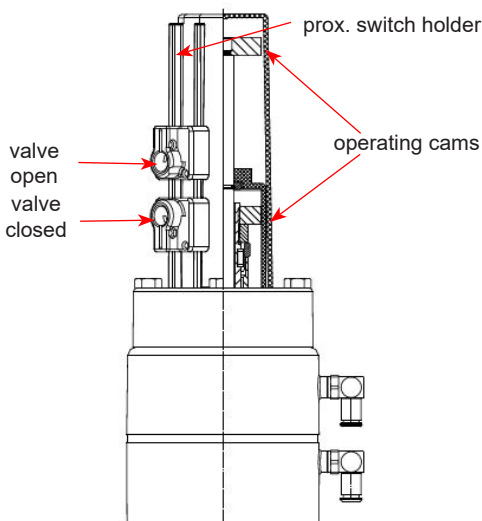


fig. 11.4.1.

D4 / D4 SL with valve position indication



### 11.4. Installation of the valve insert

1. Carefully place the valve insert in the valve housing (1) until the screw stops.
2. Remove the jacking screw and carefully press the valve insert into the housing (1).
3. Screw in the hex. screws (27) and fasten them crosswise.
4. Place the control unit on the adapter. Make sure that the control unit is centered on the adapter.
5. Place the clamp ring and fasten it with the screws.
6. Assemble the compressed air lines.
 

<b>D4 Valve:</b>	Air connection 1:	to open valve
<b>D4 SL Valve:</b>	Air connection 1:	to open valve
	Air connection 2:	to lift upper shaft
	Air connection 3:	to lift lower shaft
7. Check the valve position indicators:

#### Closed valve position feedback – sensor 1 controlled

To adjust Hall sensor 1, ensure that the valve is in the closed position, the solenoid / manual override are not activated. Turn adjustment screw 1 into the required position. The LED "Valve Closed" lights up.

#### Open valve position feedback – sensor 2 controlled

To adjust Hall sensor 2, first activate the solenoid valve 1, either manually or electrically. Then turn adjustment screw 2, to adjust the open valve position and the corresponding feedback. When it reaches the required position, the LED "Valve Open" lights up.

Observe the switching hysteresis of the Hall effect sensors!

Therefore, adjust the switch point of the sensors with overlap in order to permit small variations. We recommend additional 2 x 360° turns of the adjustment screw.

8. Design with proximity switch holder: Set the proximity switch holder in position and fasten it with the screws. Check to see if the "Valve Closed" or "Valve Open" message appears. Re-position the proximity switch if required.

## 12. Maintenance of Actuator

fig. 12.: D4 Valve actuator



The item numbers refer to the spare parts drawings

D4 1,5"-4", DN40-100	RN 500.047.01
D4 6", DN125-150	RN 500.047.03
D4 SL 1,5"-4", DN40-100	RN 501.047.01
D4 SL 6", DN125-150	RN 501.047.03

### 12.1 Removing the actuator screws

1. Remove yoke cover and yoke.
2. Unscrew the two actuator screws (19) with an SW36 socket wrench.
3. Remove the V-seals (20) and O-rings (18).

### 12.2 Installing the seals and assembling the actuator

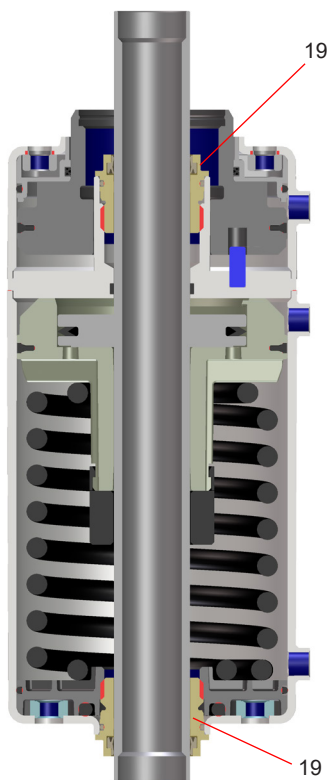
1. Install the slightly greased O-rings (18) and V-seals (20) in the actuator screws (19). Check the correct installation position of the V-seal (20).

#### Recommendation for actuator:

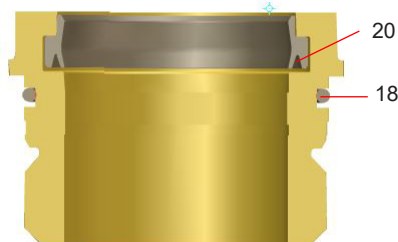
Pneumatic grease  
(25 ml /tube - ref.-No. 000 70-01-008/93; H164725)

2. Place the assembly tool (H338580) on the end of the piston rod. Screw the actuator screws (19) with a socket wrench SW36 over the piston rod at both sides of the actuator and fasten them.
3. Re-install yoke and yoke cover.

fig. 12.: D4 SL Valve actuator



#### Actuator screw



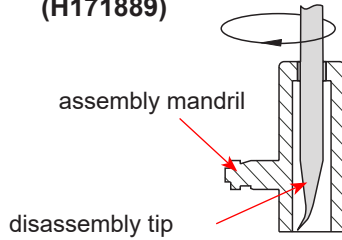
#### Assembly tool for actuator screw (H338580)



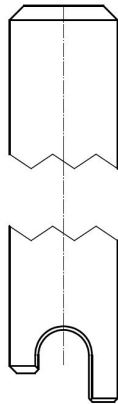


## 13. Assembly Instructions and Tools for Seals

### Assembly tool (H171889)



### Assembly stick (H338450)



### 13.1. Lower shaft seal

For the simple assembly of the lower shaft seal (11), the assembly/disassembly tool (H171889) and the assembly stick (H338450) can be used. These tools are especially recommended for valves of small series (DN40-65, 1,5"-3") as access to the lower shaft seal from the top is impossible as a result of the narrow seat.

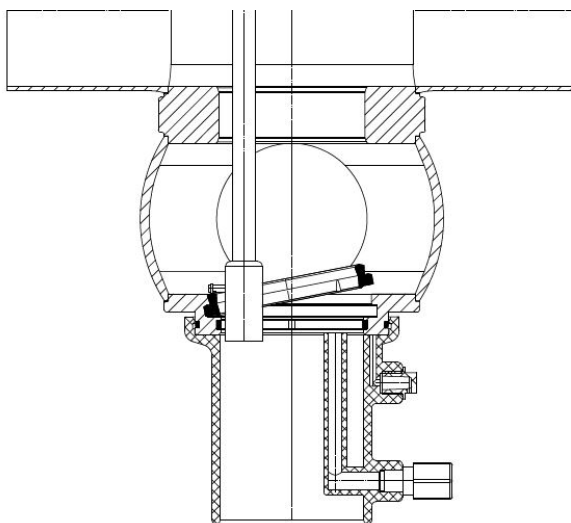


#### Caution!

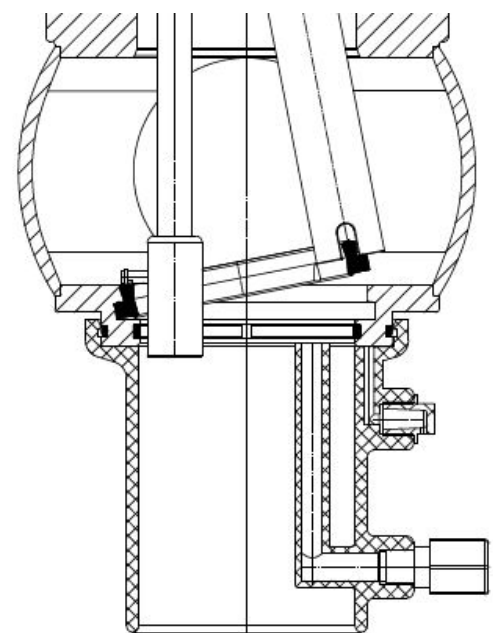
To avoid injuries the disassembly tip must be covered by the assembly mandril if not used.

1. Slightly grease the shaft seal (11).
2. Use the assembly tool to insert the shaft seal from the top, the wide side to the front, through the intermediate ring of the housing into the lower flange housing ball (fig 1.).
3. Position the shaft seal (11) using the groove of the assembly mandril.
4. Press the shaft seal (11) at one spot in the groove of the housing flange and continue to press on the shaft seal.
5. Position the groove of the assembly stick on the seal lip. Slightly turn the stick and position the shaft seal (11) in the groove. Slide further around the seal lip and insert the shaft seal in a similar manner until the shaft seal is completely in the groove.

1.

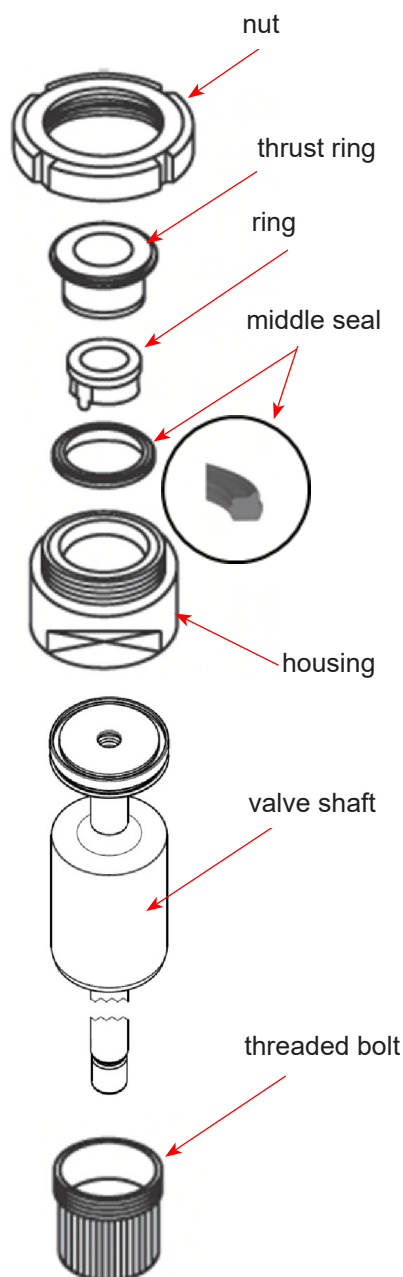


2.



## 13. Assembly Instructions and Tools for Seals

### 13.2. Middle seal



**The assembly tool consists of:**

- nut
- thrust ring
- ring with venting tip
- housing
- threaded bolt

#### Installation of the middle seal in the valve shaft

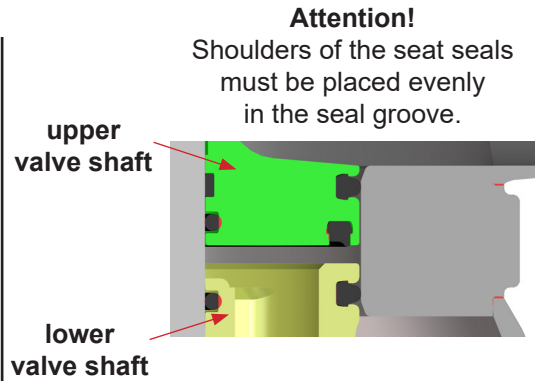
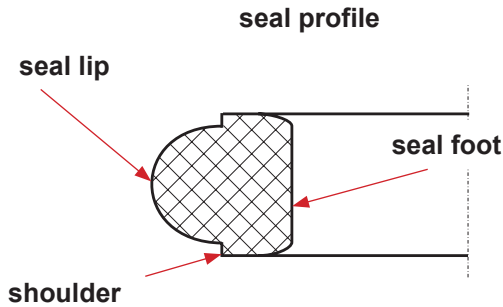
1. Insert the valve shaft into the housing making sure that the seal groove is in the housing.
2. Use the threaded bolt to clamp the shaft into the housing. Clamp the housing into a vice.
3. Slightly grease the middle seal with assembly grease. Then install the seal on the ring.
4. Insert the ring with the installed seat seal into the housing. Make sure that the venting tip is positioned in the seal groove.
5. Insert the thrust ring around the ring in the housing. Screw on the nut and tighten it with a hook spanner until it stops.
6. Release the nut. Take the ring and thrust ring off the housing.
7. Take the housing out of the vice. Take off the threaded bolt. Detach the valve shaft from the housing.

**Make sure the middle seal fits evenly.**

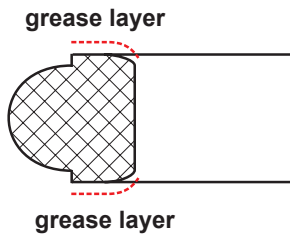
Assembly tool for middle seal			
DN	Inch	Designation	Reference number
40	1,5"	DA3 - 62	51-13-210/17 H207310
50	2"		
65	2,5" 3"		
80	4"	DA3 - 92	51-13-211/17 H207311
100			
125		D4 - 114	51-13-675/17 H340758
150	6"	D4 - 138	51-13-677/17 H340823

## 13. Assembly Instructions and Tools for Seals

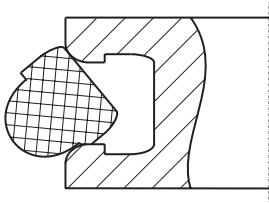
### 13.3. Seat seals



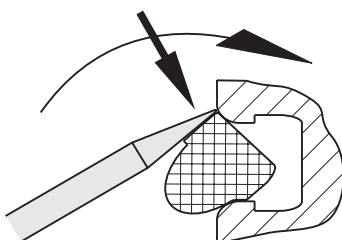
1. Provide the seal shoulder with a thin layer of grease.



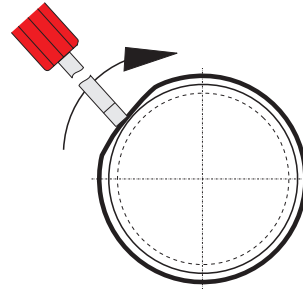
2. Insert the seat seal into the valve shaft; see to an even inclined position of the seal.



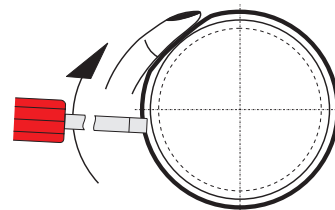
3. Press the seal circumferentially into the groove by means of an assembly tool (use screw driver with round edges). Place the assembly tool at the upper seal shoulder. To get an even fit of the seal, proceed step by step:



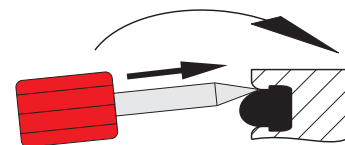
- 3.1. Press a short piece part of the seal into the groove.



- 3.2. Fix the seal - already pressed in - by your finger (to prevent loops). Use the assembly tool to press a short part of the seal into finger direction. Install the seal in the groove circumferences.



4. Press the assembly tool between the seal shoulder and the groove edge (both sides). Proceed around the circumferences. Then proceed around the circumferences of the lower seal shoulder. This is to vent the seal groove and to lock the seal shoulder.



## 14. Trouble Shooting

Failure	Valve position		Required seal replacement
	closed	open	
Leakage at upper housing flange or yoke	x	x	upper shaft seal (11)
Leakage from the inside of the lower valve shaft	x		seat seals (10)
Leakage from the inside of the lower valve shaft		x	middle seal (9)
Leakage at the outside of the lower valve shaft (remove spray connection for this purpose)	x	x	lower shaft seal (11)

The position numbers refer to the spare parts drawings.

## 15. Spare Parts Lists

The reference numbers of the spare parts for the different valve designs and sizes are included in the attached spare parts drawings with corresponding lists.

Please consider that the spare parts lists for the **D4 valve** and the **D4 SL valve** - respectively standard and large sizes - are different. You find **four separate lists** in the annex to this instruction manual.

Please indicate the following data to place an order for spare parts:

- number of required parts
- reference number
- designation.

Data are subject to change.



Information contained in this document is subject to change without notice and does not represent a commitment on the part of SPX FLOW, Inc.. No part of this document may be reproduced or transmitted in any form or by any means, electronic or mechanical, including photocopying and recording, for any

Spare parts list:

Double seat mix proof valve D4 1.5" - 4"; DN 40 - 100

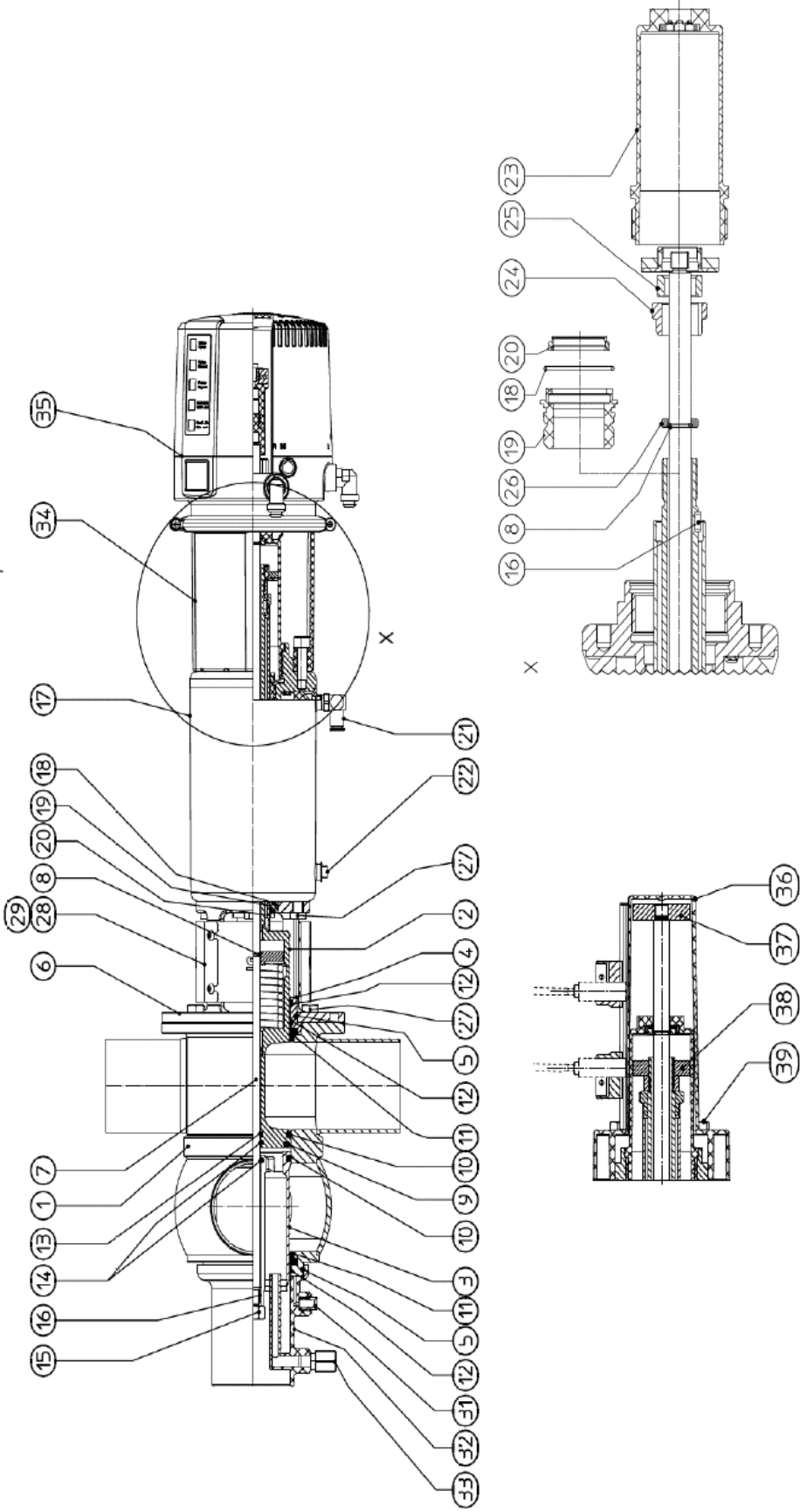
Date:	16.3.18	30.10.18	08.02.24
Name:	C.Keil	C.Keil	N.Shre
Approved by:			
Date:			
Name:			
Approved by:			

SPX FLOW

Page 1 of 12

RN 500.047.01

Pos:34/35 please refer to CU4 manual



Information contained in this document is subject to change without notice and does not represent a commitment on the part of SPX FLOW, Inc.. No part of this document may be reproduced or transmitted in any form or by any means, electronic or mechanical, including photocopying and recording, for any

Date: 16.3.18		07.10.19		08.02.24	
		C.Keil		N.Shre	
Approved by:					
Date:					
Name:					
Approved by:					
				Page 2 of 12	
				RN 500.047.01	

Spare parts list:

Double seat mix proof valve D4 1.5" - 4"; DN 40 - 100  
DN 40

SPX FLOW

Item	Quantity	Description	Included in spare parts (Pos.)	Material	Part no.	Item	Quantity	Description	Included in spare parts (Pos.)	Material	Part no.
		D41 1-6		1.4404	H337180	21	3	W-union G1/8" Ø6mm		hard nickel-plated	H208825
		D41 1-7		1.4404	H337170	22	1	Venting plug G-1/8"		PE-Hard	H16218
		D41 1-8		1.4404	H337190	23	1	Stop screw		Grivory	H334382
1	1	Housing		1.4404	H337023	24	1	Lock washer D4		1.4301	H335172
		D42		1.4404	H337033	25	1	Safety nut D3		1.4301	H147640
		D43		1.4404	H335273	26	1	Thrust ring		1.4057	H123151
		D44		1.4404	H341253	27	8	Hex. screw M8 x 16		A2	H78772
2	1	Upper valve shaft	13,16,25	1.4404	H334986	28	1	Yoke cover D4	29	1.4301	H341311
3	1	Lower valve shaft		1.4404	H334381	29	4	Savetix head screw M4 x 8 washer M4 as set		1.4301	H336707
4	1	Shaft bearing		1.4404	H77039	30					
5	2	O-ring		EPDM	H334383	31	1	Venting plug G-1/8"		PE-Hard	H16507
6	1	Yoke		1.4301	H341282	32	1	Spray connection DE3		PP	H168321
7	1	Guide rod	8,15,16	1.4404	H14883	33	1	G-union 8x1-G1/8"		PVDF-black	H16388
8	2	Retainer ring		1.4310	H327602	34	1	CU4 , CU4plus adapter compl.		PA6.6 GF30 black	See page 12
9	1	Middle seal		EPDM	H332652	35	1	CU41 , CU41plus .		PA6.6 GF30 black	See page 12
				HNBR	H332653	36	1	Prox. switch holder D4 compl.		PA 6.6 GF30 black	H336751
				FPM	H168192	37	1	Operating cam D4 bottom		1.4523 / 444FR	H334386
10	2	Seat seal		EPDM	H171561	38	1	Operating cam D4 top		1.4523 / 444FR	H334387
				HNBR	H171559	39	4	Hex. screw M8x40		A2-70	H336675
				FPM	H337476	<b>Pos. 9, 10, 11, 12, 14 available as complete seal kits only</b>					
				EPDM	H337478	1		Seal kit		EPDM	H337884
11	2	Seat seal		HNBR	H337477	1		Seal kit		HNBR	H337885
				FPM	H337477	1		Seal kit		FPM	H337886
12	3	Guide ring		Igildur A500	H334863						
13	1	Guide band		Acoflon	H334865						
14	1	Quad ring	12,37x,2,62	EPDM	H311646						
15	1	Lock nut M10x1		A2	H118903						
16	2	Square key 3x3x10 DIN6885 Form A		A2	H335171						
17	1	Actuator	18,19,20	1.4301	H335446						
18	2	O-ring	30 x 2,5	NBR	H337897						
19	2	Actuator screw		Igildur J350	H334376						
20	2	V-seal		NBR	H334379						

Information contained in this document is subject to change without notice and does not represent a commitment on the part of SPX FLOW, Inc.. No part of this document may be reproduced or transmitted in any form or by any means, electronic or mechanical, including photocopying and recording, for any

Date: 16.3.18 07.10.19 08.02.24		C.Keil N.Shre	
		Approved by:	
Date: _____		Page 3 of 12	
Name: _____		RN 500.047.01	
Approved by: _____			

Spare parts list:

Double seat mix proof valve D4 1.5" - 4"; DN 40 - 100  
1,5"

SPX FLOW

Item	Quantity	Description	Included in spare parts (Pos.)	Material	Part no.	Item	Quantity	Description	Included in spare parts (Pos.)	Material	Part no.
		D41 1-6		1.4404	H337185	21	3	W-union G1/8" Ø6mm		hard nickel-plated	H208825
		D41 1-7		1.4404	H337175	22	1	Venting plug G-1/8"		PE-Hard	H16218
		D41 1-8		1.4404	H337195	23	1	Stop screw		Grivory	H334382
1	1	Housing		1.4404	H337028	24	1	Lock washer D4		1.4301	H335172
		D42		1.4404	H337038	25	1	Safety nut D3		1.4301	H147640
		D43		1.4404	H335272	26	1	Thrust ring		1.4057	H123151
		D44		1.4404	H341253	27	8	Hex. screw M8 x 16		A2	H78772
2	1	Upper valve shaft	13,16,25	1.4404	H334986	28	1	Yoke cover D4	29	1.4301	H341311
3	1	Lower valve shaft		1.4404	H334381	29	4	Savetix head screw M4 x 8 washer M4 as set		1.4301	H336707
4	1	Shaft bearing		1.4404	H77039	30					
5	2	O-ring		EPDM	H334383	31	1	Venting plug G-1/8"		PE-Hard	H16507
6	1	Yoke		1.4301	H341282	32	1	Spray connection DE3		PP	H168321
7	1	Guide rod	8,15,16	1.4404	H14883	33	1	G-union 8x1-G1/8"		PVDF-black	H16388
8	2	Retainer ring		1.4310	H327602	34	1	CU4 , CU4plus adapter compl.		PA6.6 GF30 black	See page 12
9	1	Middle seal		EPDM	H332652	35	1	CU41 , CU41plus .		PA6.6 GF30 black	See page 12
				HNBR	H332653	36	1	Prox. switch holder D4 compl.		PA 6.6 GF30 black	H336751
				FPM	H168192	37	1	Operating cam D4 bottom		1.4523 / 444FR	H334386
10	2	Seat seal		HNBR	H171561	38	1	Operating cam D4 top		1.4523 / 444FR	H334387
				FPM	H337477	39	4	Hex. screw M8x40		A2-70	H336675
				EPDM	H334863	<b>Pos. 9, 10, 11, 12, 14 available as complete seal kits only</b>					
				HNBR	H334865			Seal kit		EPDM	H337884
				FPM	H311646			Seal kit		HNBR	H337885
				EPDM	H118903			Seal kit		FPM	H337886
				HNBR	H335171						
				FPM	H335446						
11	2	Seat seal	18,19,20	1.4301	H337897						
12	3	Guide ring		NBR	H334376						
13	1	Guide band		Iglidur A500	H334379						
14	1	Quad ring	12,37x,2,62	Acoflon							
15	1	Lock nut M10x1		EPDM							
16	2	Square key 3x3x10 DIN6885 Form A		A2							
17	1	Actuator		A2							
18	2	O-ring	30 x 2,5	1.4301							
19	2	Actuator screw		NBR							
20	2	V-seal		Iglidur J350							



Information contained in this document is subject to change without notice and does not represent a commitment on the part of SPX FLOW, Inc.. No part of this document may be reproduced or transmitted in any form or by any means, electronic or mechanical, including photocopying and recording, for any

Item		Description	Included in spare parts (Pos.)	Material	Part no.	Quantity	Description	Included in spare parts (Pos.)	Material	Part no.
		D41 1-6		1.4404	H337181	3	W-union G1/8" Ø6mm		hard nickel-plated	H208825
		D41 1-7		1.4404	H337171	1	Venting plug G-1/8"		PE-Hard	H16218
		D41 1-8		1.4404	H337191	23	Stop screw		Grivory	H334382
1	1	Housing		1.4404	H337024	24	Lock washer D4		1.4301	H335172
		D42		1.4404	H337034	25	Safety nut D3		1.4301	H147640
		D43		1.4404	H335274	26	Thrust ring		1.4057	H123151
		D44		1.4404	H341254	27	Hex. screw M8 x 16		A2	H78772
2	1	Upper valve shaft	13,16,25	1.4404	H341254	8	Yoke cover D4	29	1.4301	H341311
3	1	Lower valve shaft		1.4404	H334987	1	Savetix head screw M4 x 8 washer M4 as set		1.4301	H336707
4	1	Shaft bearing		1.4404	H334381	4				
5	2	O-ring		EPDM	H77039					
6	1	Yoke		1.4301	H334383	30				
7	1	Guide rod	8,15,16	1.4404	H341283	1	Venting plug G-1/8"		PE-Hard	H16507
8	2	Retainer ring		1.4310	H14883	32	Spray connection DE3		PP	H168321
				EPDM	H327602	33	G-union 8x1-G1/8"		PVDF-black	H16388
9	1	Middle seal		HNBR	H332652	34	CU4 , CU4plus adapter compl.		PA6.6 GF30 black	See page 12
				FPM	H332653					
				EPDM	H168192	35	CU41 , CU41plus .		PA6.6 GF30 black	See page 12
10	2	Seat seal		HNBR	H171561	1	Prox. switch holder D4 compl.		PA 6.6 GF30 black	H336751
				FPM	H171559	36	Operating cam D4 bottom		1.4523 / 444FR	H334386
11	2	Seat seal		HNBR	H337476	1	Operating cam D4 top		1.4523 / 444FR	H334387
				FPM	H337477	38	Hex. screw M8x40		A2-70	H336675
12	3	Guide ring		Igildur A500	H334863	4				
13	1	Guide band		Acoflon	H334865					
14	1	Quad ring	12,37x,2,62	EPDM	H311646					
15	1	Lock nut M10x1		A2	H118903					
16	2	Square key 3x3x10 DIN6885 Form A		A2	H335171					
17	1	Actuator	18,19,20	1.4301	H335443	1	Seal kit		EPDM	H337884
18	2	O-ring	30 x 2,5	NBR	H337897	1	Seal kit		HNBR	H337885
19	2	Actuator screw		Igildur J350	H334376	1	Seal kit		FPM	H337886
20	2	V-seal		NBR	H334379					

**Pos. 9, 10, 11, 12, 14 available as complete seal kits only**

Spare parts list:

Double seat mix proof valve D4 1.5" - 4"; DN 40 - 100  
DN 50

SPX FLOW

Date: 16.3.18 07.10.19 08.02.24  
Name: C.Keil N.Shre  
Approved by:

Date: Page 4 of 12  
Name: RN 500.047.01  
Approved by:







Information contained in this document is subject to change without notice and does not represent a commitment on the part of SPX FLOW, Inc.. No part of this document may be reproduced or transmitted in any form or by any means, electronic or mechanical, including photocopying and recording, for any

Date: 16.3.18		07.10.19		08.02.24	
		C.Keil		N.Shre	
Name:					
Approved by:					
Date:					
Name:					
Approved by:					
				Page 8 of 12	
				RN 500.047.01	

Spare parts list:

Double seat mix proof valve D4 1.5" - 4"; DN 40 - 100  
3"

SPX FLOW

Item	Quantity	Description	Included in spare parts (Pos.)	Material	Part no.	Item	Quantity	Description	Included in spare parts (Pos.)	Material	Part no.
		D41 1-6		1.4404	H337188	21	3	W-union G1/8" Ø6mm		hard nickel-plated	H208825
		D41 1-7		1.4404	H337178	22	1	Venting plug G-1/8"		PE-Hard	H16218
		D41 1-8		1.4404	H337198	23	1	Stop screw		Grivory	H334382
1	1	Housing		1.4404	H337031	24	1	Lock washer D4		1.4301	H335172
		D42		1.4404	H337041	25	1	Safety nut D3		1.4301	H147640
		D43		1.4404	H335275	26	1	Thrust ring		1.4057	H123151
		D44		1.4404	H341258	27	8	Hex. screw M8 x 16		A2	H78772
2	1	Upper valve shaft	13,16,25	1.4404	H335392	28	1	Yoke cover D4	29	1.4301	H341311
3	1	Lower valve shaft		1.4404	H334381	29	4	Savetix head screw M4 x 8 washer M4 as set		1.4301	H336707
4	1	Shaft bearing		1.4404	H77039	30					
5	2	O-ring		EPDM	H334383	31	1	Venting plug G-1/8"		PE-Hard	H16507
6	1	Yoke		1.4301	H341287	32	1	Spray connection DE3		PP	H168321
7	1	Guide rod	8,15,16	1.4404	H14883	33	1	G-union 8x1-G1/8"		PVDF-black	H16388
8	2	Retainer ring		1.4310	H327602	34	1	CU4 , CU4plus adapter compl.		PA6.6 GF30 black	See page 12
9	1	Middle seal		EPDM	H332652	35	1	CU41 , CU41plus .		PA6.6 GF30 black	See page 12
				HNBR	H332653	36	1	Prox. switch holder D4 compl.		PA 6.6 GF30 black	H336751
				FPM	H168192	37	1	Operating cam D4 bottom		1.4523 / 444FR	H334386
				EPDM	H171561	38	1	Operating cam D4 top		1.4523 / 444FR	H334387
				HNBR	H171559	39	4	Hex. screw M8x40		A2-70	H336675
10	2	Seat seal		FPM	H337476	Pos. 9, 10, 11, 12, 14 available as complete seal kits only					
				EPDM	H337476						
				HNBR	H337476						
				FPM	H337477						
				EPDM	H334863						
				HNBR	H334863						
				FPM	H334865						
				EPDM	H311646						
				A2	H118903						
				A2	H335171						
			18,19,20	1.4301	H334365						
				NBR	H337897						
				Igildur J350	H334376						
				NBR	H334379						
11	2	Seat seal		EPDM	H337884						
				HNBR	H337885						
				FPM	H337886						
12	3	Guide ring									
13	1	Guide band									
14	1	Quad ring	12,37x,2,62								
15	1	Lock nut M10x1									
16	2	Square key 3x3x10 DIN6885 Form A									
17	1	Actuator									
18	2	O-ring	30 x 2,5								
19	2	Actuator screw									
20	2	V-seal									

Information contained in this document is subject to change without notice and does not represent a commitment on the part of SPX FLOW, Inc.. No part of this document may be reproduced or transmitted in any form or by any means, electronic or mechanical, including photocopying and recording, for any

Spare parts list:

Double seat mix proof valve D4 1.5" - 4"; DN 40 - 100  
DN 80

Item		Description		Included in spare parts (Pos.)		Material		Part no.		Quantity		Description		Included in spare parts (Pos.)		Material		Part no.			
			D41 1-6			1.4404	H337183			3		W-union G1/8" Ø6mm				hard nickel-plated					
			D41 1-7			1.4404	H337173			1		Venting plug G-1/8"				PE-Hard					
			D41 1-8			1.4404	H337193			23		Stop screw				Grivory					
1	1		Housing			1.4404	H337026			24		Lock washer D4				1.4301					
			D42			1.4404	H337036			25		Safety nut D3				1.4301					
			D43			1.4404	H335278			26		Thrust ring				1.4057					
			D44			1.4404	H341257	13,16,25		27	8	Hex. screw M8 x 16				A2					
2	1		Upper valve shaft			1.4404	H335393			28	1	Yoke cover D4		29		1.4301					
3	1		Lower valve shaft			1.4404	H335713			29	4	Savetix head screw M4 x 8 washer M4 as set				1.4301					
4	1		Shaft bearing			1.4404	H77061			30											
5	2		O-ring			EPDM	H335994			31	1	Venting plug G-1/8"				PE-Hard					
6	1		Yoke			1.4301	H341286			32	1	Spray connection DE3				PP					
7	1		Guide rod		8,15,16	1.4404	H14883			33	1	G-union 8x1-G1/8"				PVDF-black					
8	2		Retainer ring			1.4310	H327985			34	1	CU4 , CU4plus adapter compl.				PA6.6 GF30 black					
9	1		Middle seal			HNBR	H332649			35	1	CU41 , CU41plus .				PA6.6 GF30 black					
						FPM	H332648			36	1	Prox. switch holder D4 compl.				PA 6.6 GF30 black					
10	2		Seat seal			EPDM	H168153			37	1	Operating cam D4 bottom				1.4523 / 444FR					
						HNBR	H171565			38	1	Operating cam D4 top				1.4523 / 444FR					
						FPM	H337668			39	4	Hex. screw M8x40				A2-70					
11	2		Seat seal			EPDM	H171563														
						HNBR	H171565														
						FPM	H171563														
12	3		Guide ring			EPDM	H337668														
						HNBR	H337670														
						FPM	H337669														
13	1		Guide band			Iglidur A500	H335702														
						Acoflon	H334865														
14	1		Quad ring			EPDM	H311646														
						A2	H118903														
15	1		Lock nut M10x1			A2	H335171														
16	2		Square key 3x3x10 DIN6885 Form A			A2	H335686														
17	1		Actuator		18,19,20	1.4301	H337897														
18	2		O-ring			NBR	H334376														
19	2		Actuator screw			Iglidur J350	H334376														
20	2		V-seal			NBR	H334379														
Pos. 9, 10, 11, 12, 14 available as complete seal kits only																					
										1		Seal kit				EPDM					
										1		Seal kit				HNBR					
										1		Seal kit				FPM					

SPX FLOW

Page 9 of 12

RN 500.047.01

Date: 16.3.18 07.10.19 08.02.24  
Name: C.Keil N.Shre  
Approved by:

Date:   
Name:   
Approved by:

Information contained in this document is subject to change without notice and does not represent a commitment on the part of SPX FLOW, Inc.. No part of this document may be reproduced or transmitted in any form or by any means, electronic or mechanical, including photocopying and recording, for any

Item		Description	Included in spare parts (Pos.)	Material	Part no.	Quantity	Spare parts list:		Item	Quantity	Description	Included in spare parts (Pos.)	Material	Part no.
		D41 1-6					Double seat mix proof valve D4 1.5" - 4"; DN 40 - 100		21	3	W-union G1/8" Ø6mm		hard nickel-plated	H208825
		D41 1-7		1.4404	H337184		DN 100		22	1	Venting plug G-1/8"		PE-Hard	H16218
		D41 1-8		1.4404	H337174				23	1	Stop screw		Grivory	H334382
1	1	Housing		1.4404	H337194				24	1	Lock washer D4		1.4301	H335172
		D42		1.4404	H337027				25	1	Safety nut D3		1.4301	H147640
		D43		1.4404	H337037				26	1	Thrust ring		1.4057	H123151
		D44		1.4404	H335279				27	8	Hex. screw M8 x 16		A2	H78772
2	1	Upper valve shaft	13,16,25	1.4404	H341259				28	1	Yoke cover D4	29	1.4301	H341312
3	1	Lower valve shaft		1.4404	H335394				29	4	Savetix head screw M4 x 8 washer M4 as set		1.4301	H336707
4	1	Shaft bearing		1.4404	H335713				30					
5	2	O-ring		EPDM	H77061				31	1	Venting plug G-1/8"		PE-Hard	H16507
6	1	Yoke		1.4301	H335994				32	1	Spray connection DE3		PP	H168322
7	1	Guide rod	8,15,16	1.4404	H341288				33	1	G-union 8x1-G1/8"		PVDF-black	H16388
8	2	Retainer ring		1.4310	H14883				34	1	CU4 , CU4plus adapter compl.		PA6.6 GF30 black	See page 12
9	1	Middle seal		EPDM	H327985				35	1	CU41 , CU41plus .		PA6.6 GF30 black	See page 12
10	2	Seat seal		HNBR	H332649				36	1	Prox. switch holder D4 compl.		PA 6.6 GF30 black	H336751
				FPM	H332648				37	1	Operating cam D4 bottom		1.4523 / 444FR	H334386
				EPDM	H168153				38	1	Operating cam D4 top		1.4523 / 444FR	H334387
				HNBR	H171565				39	4	Hex. screw M8x40		A2-70	H336675
				FPM	H171563				<b>Pos. 9, 10, 11, 12, 14 available as complete seal kits only</b>					
				EPDM	H337668									
				HNBR	H337670				1	1	Seal kit		EPDM	H337887
11	2	Seat seal		HNBR	H337669				1	1	Seal kit		HNBR	H337888
				FPM	H337669				1	1	Seal kit		FPM	H337889
12	3	Guide ring	18,19,20	Iglidur A500	H335702									
13	1	Guide band		Acoflon	H334865									
14	1	Quad ring	12,37x,2,62	EPDM	H311646									
15	1	Lock nut M10x1		A2	H118903									
16	2	Square key 3x3x10 DIN6885 Form A		A2	H335171									
17	1	Actuator		1.4301	H335686									
18	2	O-ring	30 x 2,5	NBR	H337897									
19	2	Actuator screw		Iglidur J350	H334376									
20	2	V-seal		NBR	H334379									

SPX FLOW

Date: 16.3.18 07.10.19 08.02.24  
 Name: C.Keil N.Shre  
 Approved by:  
 Date:  
 Name:  
 Approved by:

Page 10 of 12  
 RN 500.047.01

Information contained in this document is subject to change without notice and does not represent a commitment on the part of SPX FLOW, Inc.. No part of this document may be reproduced or transmitted in any form or by any means, electronic or mechanical, including photocopying and recording, for any

Spare parts list:

Double seat mix proof valve D4 1.5" - 4"; DN 40 - 100  
4"

Item		Description		Included in spare parts (Pos.)		Material		Part no.		Quantity		Description		Included in spare parts (Pos.)		Material		Part no.			
			D41 1-6			1.4404	H337189			3			W-union G1/8" Ø6mm			hard nickel-plated					
			D41 1-7			1.4404	H337179			1			Venting plug G-1/8"			PE-Hard					
			D41 1-8			1.4404	H337199			23			Stop screw			Grivory					
1	1		Housing			1.4404	H337032			24			Lock washer D4			1.4301					
			D42			1.4404	H337042			25			Safety nut D3			1.4301					
			D43			1.4404	H335280			26			Thrust ring			1.4057					
			D44			1.4404	H341259	13,16,25		27	8		Hex. screw M8 x 16			A2					
2	1		Upper valve shaft			1.4404	H335394			28	1		Yoke cover D4		29	1.4301					
3	1		Lower valve shaft			1.4404	H335713			29	4		Savetix head screw M4 x 8 washer M4 as set			1.4301					
4	1		Shaft bearing			1.4404	H77061			30											
5	2		O-ring			EPDM	H335994			31	1		Venting plug G-1/8"			PE-Hard					
6	1		Yoke			1.4301	H341288			32	1		Spray connection DE3			PP					
7	1		Guide rod		8,15,16	1.4404	H14883			33	1		G-union 8x1-G1/8"			PVDF-black					
8	2		Retainer ring			1.4310	H327985			34	1		CU4 , CU4plus adapter compl.			PA6.6 GF30 black					
9	1		Middle seal			HNBR	H332649			35	1		CU41 , CU41plus .			PA6.6 GF30 black					
						FPM	H332648			36	1		Prox. switch holder D4 compl.			PA 6.6 GF30 black					
10	2		Seat seal			EPDM	H168153			37	1		Operating cam D4 bottom			1.4523 / 444FR					
						HNBR	H171565			38	1		Operating cam D4 top			1.4523 / 444FR					
						FPM	H337669			39	4		Hex. screw M8x40			A2-70					
11	2		Seat seal			EPDM	H335702			<b>Pos. 9, 10, 11, 12, 14 available as complete seal kits only</b>											
						HNBR	H334865						Seal kit			EPDM					
						FPM	H311646						Seal kit			HNBR					
12	3		Guide ring			A2	H118903						Seal kit			FPM					
13	1		Guide band			A2	H335171														
14	1		Quad ring			A2	H335686														
15	1		Lock nut M10x1			A2	H337897														
16	2		Square key 3x3x10 DIN6885 Form A		18,19,20	1.4301	H334376														
17	1		Actuator			1.4301	H334379														
18	2		O-ring			NBR															
19	2		Actuator screw			Igildur J350															
20	2		V-seal			NBR															



Information contained in this document is subject to change without notice and does not represent a commitment on the part of SPX FLOW, Inc.. No part of this document may be reproduced or transmitted in any form or by any means, electronic or mechanical, including photocopying and recording, for any

Item		Quantity		Description		Air connections		Material		Part no.																																																																																					
Spare parts list:																																																																																															
Double seat mix proof valve D4 Control unit and adapter																																																																																															
<table border="1"> <tr> <td>Date:</td> <td>16.3.18</td> <td>07.10.19</td> <td>08.02.24</td> <td colspan="8"></td> </tr> <tr> <td>Name:</td> <td>C.Keil</td> <td>Size-Si.</td> <td>N.Shre</td> <td colspan="8"></td> </tr> <tr> <td>Approved by:</td> <td></td> <td></td> <td></td> <td colspan="8"></td> </tr> <tr> <td>Date:</td> <td></td> <td></td> <td></td> <td>Page</td> <td>12</td> <td>of</td> <td>12</td> <td colspan="4"></td> </tr> <tr> <td>Name:</td> <td></td> <td></td> <td></td> <td colspan="8">RN 500.047.01</td> </tr> <tr> <td>Approved by:</td> <td></td> <td></td> <td></td> <td colspan="8"></td> </tr> </table>												Date:	16.3.18	07.10.19	08.02.24									Name:	C.Keil	Size-Si.	N.Shre									Approved by:												Date:				Page	12	of	12					Name:				RN 500.047.01								Approved by:																							
Date:	16.3.18	07.10.19	08.02.24																																																																																												
Name:	C.Keil	Size-Si.	N.Shre																																																																																												
Approved by:																																																																																															
Date:				Page	12	of	12																																																																																								
Name:				RN 500.047.01																																																																																											
Approved by:																																																																																															
<table border="1"> <thead> <tr> <th>Item</th> <th>Quantity</th> <th>Description</th> <th>Air connections</th> <th>Material</th> <th>Part no.</th> </tr> </thead> <tbody> <tr> <td colspan="6" style="text-align: center;"><b>CU4 adapter D4</b></td> </tr> <tr> <td>34</td> <td>1</td> <td>CU4 D4 adapter cmpl.</td> <td>/</td> <td>PA 6.6 GF30 black</td> <td>H337098</td> </tr> </tbody> </table>												Item	Quantity	Description	Air connections	Material	Part no.	<b>CU4 adapter D4</b>						34	1	CU4 D4 adapter cmpl.	/	PA 6.6 GF30 black	H337098																																																																		
Item	Quantity	Description	Air connections	Material	Part no.																																																																																										
<b>CU4 adapter D4</b>																																																																																															
34	1	CU4 D4 adapter cmpl.	/	PA 6.6 GF30 black	H337098																																																																																										
<table border="1"> <thead> <tr> <th>Item</th> <th>Quantity</th> <th>Description</th> <th>Air connections</th> <th>Material</th> <th>Part no.</th> </tr> </thead> <tbody> <tr> <td colspan="6" style="text-align: center;"><b>CU4 Control Units</b></td> </tr> <tr> <td>34</td> <td>1</td> <td>CU4plus D4 V2 adapter cmpl.</td> <td></td> <td>PA6.6 GF30 black</td> <td>H341891</td> </tr> </tbody> </table>												Item	Quantity	Description	Air connections	Material	Part no.	<b>CU4 Control Units</b>						34	1	CU4plus D4 V2 adapter cmpl.		PA6.6 GF30 black	H341891																																																																		
Item	Quantity	Description	Air connections	Material	Part no.																																																																																										
<b>CU4 Control Units</b>																																																																																															
34	1	CU4plus D4 V2 adapter cmpl.		PA6.6 GF30 black	H341891																																																																																										
<table border="1"> <thead> <tr> <th>Item</th> <th>Quantity</th> <th>Description</th> <th>Air connections</th> <th>Material</th> <th>Part no.</th> </tr> </thead> <tbody> <tr> <td colspan="6" style="text-align: center;"><b>CU4plus Control Units</b></td> </tr> <tr> <td>35</td> <td>1</td> <td>CU41plus D4 V2 AS-i Ext.</td> <td>6mm</td> <td>PA 6.6 GF30 black</td> <td>H338821</td> </tr> <tr> <td></td> <td>1</td> <td>CU41plus D4 V2 M12 AS-i Ext.</td> <td>6mm</td> <td>PA 6.6 GF30 black</td> <td>H338866</td> </tr> <tr> <td></td> <td>1</td> <td>CU41plus-D4-M12 IO-LINK</td> <td>6mm</td> <td>PA 6.6 GF30 black</td> <td>H345138</td> </tr> <tr> <td></td> <td>1</td> <td>CU41plus-D4-M12 AS-I V5</td> <td>6mm</td> <td>PA 6.6 GF30 black</td> <td>H348039</td> </tr> <tr> <td></td> <td>1</td> <td>CU41plus-D4-M12 Direct Connect</td> <td>6mm</td> <td>PA 6.6 GF30 black</td> <td>H342462</td> </tr> <tr> <td></td> <td>1</td> <td>CU41plus-D4-Direct Connect</td> <td>6mm</td> <td>PA 6.6 GF30 black</td> <td>H342442</td> </tr> <tr> <td></td> <td>1</td> <td>CU41plus-D4-M12 AS-I V5</td> <td>1/4" OD</td> <td>PA 6.6 GF30 black</td> <td>H348040</td> </tr> <tr> <td></td> <td>1</td> <td>CU41plus-D4-M12 IO-LINK</td> <td>1/4" OD</td> <td>PA 6.6 GF30 black</td> <td>H345139</td> </tr> <tr> <td></td> <td>1</td> <td>CU41plus D4 V2 AS-i Ext.</td> <td>1/4" OD</td> <td>PA 6.6 GF30 black</td> <td>H338825</td> </tr> <tr> <td></td> <td>1</td> <td>CU41plus D4 V2 M12 AS-i Ext.</td> <td>1/4" OD</td> <td>PA 6.6 GF30 black</td> <td>H338870</td> </tr> <tr> <td></td> <td>1</td> <td>CU41plus-D4-M12 Direct Connect</td> <td>1/4" OD</td> <td>PA 6.6 GF30 black</td> <td>H342463</td> </tr> <tr> <td></td> <td>1</td> <td>CU41plus-D4-Direct Connect</td> <td>1/4" OD</td> <td>PA 6.6 GF30 black</td> <td>H342443</td> </tr> </tbody> </table>												Item	Quantity	Description	Air connections	Material	Part no.	<b>CU4plus Control Units</b>						35	1	CU41plus D4 V2 AS-i Ext.	6mm	PA 6.6 GF30 black	H338821		1	CU41plus D4 V2 M12 AS-i Ext.	6mm	PA 6.6 GF30 black	H338866		1	CU41plus-D4-M12 IO-LINK	6mm	PA 6.6 GF30 black	H345138		1	CU41plus-D4-M12 AS-I V5	6mm	PA 6.6 GF30 black	H348039		1	CU41plus-D4-M12 Direct Connect	6mm	PA 6.6 GF30 black	H342462		1	CU41plus-D4-Direct Connect	6mm	PA 6.6 GF30 black	H342442		1	CU41plus-D4-M12 AS-I V5	1/4" OD	PA 6.6 GF30 black	H348040		1	CU41plus-D4-M12 IO-LINK	1/4" OD	PA 6.6 GF30 black	H345139		1	CU41plus D4 V2 AS-i Ext.	1/4" OD	PA 6.6 GF30 black	H338825		1	CU41plus D4 V2 M12 AS-i Ext.	1/4" OD	PA 6.6 GF30 black	H338870		1	CU41plus-D4-M12 Direct Connect	1/4" OD	PA 6.6 GF30 black	H342463		1	CU41plus-D4-Direct Connect	1/4" OD	PA 6.6 GF30 black	H342443
Item	Quantity	Description	Air connections	Material	Part no.																																																																																										
<b>CU4plus Control Units</b>																																																																																															
35	1	CU41plus D4 V2 AS-i Ext.	6mm	PA 6.6 GF30 black	H338821																																																																																										
	1	CU41plus D4 V2 M12 AS-i Ext.	6mm	PA 6.6 GF30 black	H338866																																																																																										
	1	CU41plus-D4-M12 IO-LINK	6mm	PA 6.6 GF30 black	H345138																																																																																										
	1	CU41plus-D4-M12 AS-I V5	6mm	PA 6.6 GF30 black	H348039																																																																																										
	1	CU41plus-D4-M12 Direct Connect	6mm	PA 6.6 GF30 black	H342462																																																																																										
	1	CU41plus-D4-Direct Connect	6mm	PA 6.6 GF30 black	H342442																																																																																										
	1	CU41plus-D4-M12 AS-I V5	1/4" OD	PA 6.6 GF30 black	H348040																																																																																										
	1	CU41plus-D4-M12 IO-LINK	1/4" OD	PA 6.6 GF30 black	H345139																																																																																										
	1	CU41plus D4 V2 AS-i Ext.	1/4" OD	PA 6.6 GF30 black	H338825																																																																																										
	1	CU41plus D4 V2 M12 AS-i Ext.	1/4" OD	PA 6.6 GF30 black	H338870																																																																																										
	1	CU41plus-D4-M12 Direct Connect	1/4" OD	PA 6.6 GF30 black	H342463																																																																																										
	1	CU41plus-D4-Direct Connect	1/4" OD	PA 6.6 GF30 black	H342443																																																																																										

Information contained in this document is subject to change without notice and does not represent a commitment on the part of SPX FLOW, Inc.. No part of this document may be reproduced or transmitted in any form or by any means, electronic or mechanical, including photocopying and recording, for any

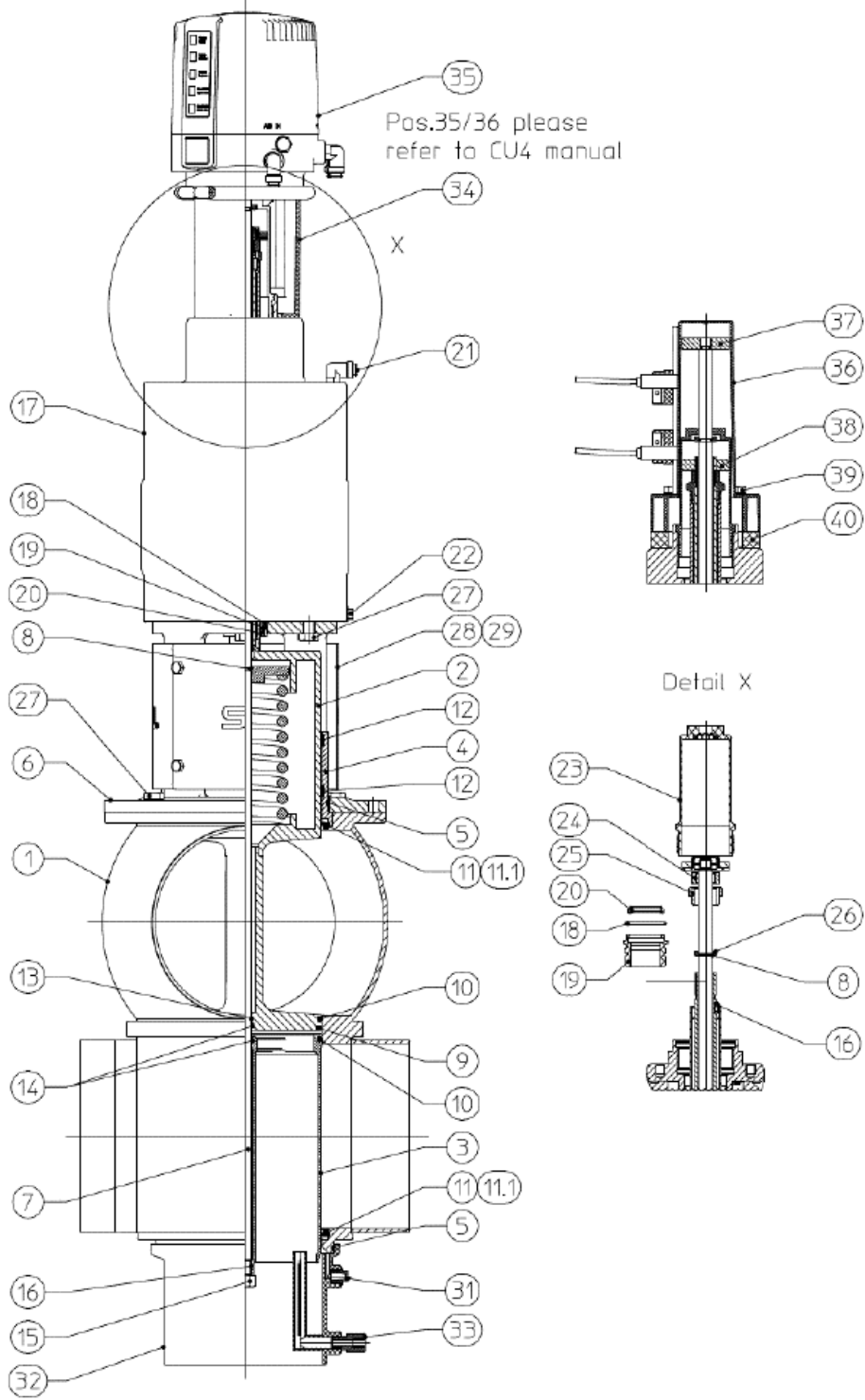
Spare parts list:

Double seat mix proof valve D4 125-150-6"

Date:	11.10.19	10.06.20	20.06.23	08.02.24
Name:	Size-Si.	C. Keil	C. Keil	J. Shrestha
Approved by:				
Date:				
Name:				
Approved by:				

SPX FLOW

Page 1 of 8  
RN 500.047.03



Information contained in this document is subject to change without notice and does not represent a commitment on the part of SPX FLOW, Inc.. No part of this document may be reproduced or transmitted in any form or by any means, electronic or mechanical, including photocopying and recording, for any

**Spare parts list:**

**Double seat mix proof valve D4 125-150-6"**  
**DN 125**

<b>Date:</b>	11.10.19 08:02:24
<b>Name:</b>	Size-Si. J.Shresht
<b>Approved by:</b>	
<b>Date:</b>	
<b>Name:</b>	
<b>Approved by:</b>	

Page 2 of 8  
**RN 500.047.03**

**SPX FLOW**

Item	Quantity	Description	Included in spare parts (Pos.)	Material	Part no.	Item	Quantity	Description	Included in spare parts (Pos.)	Material	Part no.
		D41 / 1-6		1.4404	H340122	20	2	V-seal		NBR	H334379
		D41 / 1-7		1.4404	H340123	21	1	W-union G1/8" Ø6mm		hard nickel-plated	H208825
1	1	Housing		1.4404	H340124	22	1	Venting plug G-1/8"		PE-Hard	H16218
		D42		1.4404	H340121	23	1	Stop screw		Grivory	H334382
		D43		1.4404	H340120	24	1	Safety nut D3		1.4301	H147640
		D44		1.4404	H340119	25	1	Lock washer D4		1.4301	H335172
2	1	Upper valve shaft	13,16,25	1.4404	H341269	26	1	Thrust ring		1.4057	H123151
3	1	Lower valve shaft		1.4404	H340230	27	8	Hex. screw M10 x 20		A2	H340472
4	1	Shaft bearing		1.4404	H340243	28	1	Yoke cover D4	29	1.4301	H341313
5	2	O-ring		EPDM	H77074	29	4	Savetix head screw M6 x 8 washer M6 as set		1.4301	H340632
6	1	Yoke		1.4301	H340244	30					
7	1	Guide rod	8,15,16	1.4404	H341298	31	1	Venting plug G-1/8"		PE-Hard	H16507
8	2	Retainer ring		1.4310	H14883	32	1	Spray connection DE3		PP	H178450
9	1	Middle seal		EPDM	H340247	33	1	G-union 10/8-G1/4" with suppl. Sleeve cpl.		1.4571	H329696
				HNBR	H340248	34	1	CU4 , CU4plus adapter cmpl.		PA6.6 GF30 black	See page 8
				FPM	H340294	35	1	CU41 , CU41plus .		PA6.6 GF30 black	See page 8
10	2	Seat seal		EPDM	H173940	36	1	Prox. switch holder D4 cmpl.		PA 6.6 GF30 black	H336751
				HNBR	H173939	37	1	Operating cam D4 bottom		1.4523 / 444FR	H334386
				FPM	H340246	38	1	Operating cam D4 top		1.4523 / 444FR	H334387
11	2	Seat seal		EPDM	H77611	39	4	Hex. screw		A2-70	H336675
				HNBR	H170178	40	1	Spacer		PA 6.6 GF30 black	
				FPM	H77610						
11.1	2	PTFE Shaft seal		PTFE	H340295						
12	2	Guide ring		Iglidur A500	H340198						
13	1	Guide band		Acoflon	H334865						
14	2	Quad ring	12,37x 2,62	EPDM	H311646						
15	1	Lock nut M10x1		A2	H118903						
16	2	Square key DIN6885 - A - 3x3x10		A2	H335171						
17	1	Actuator	18,19,20	1.4301	H340639						
18	2	O-ring	30 x 2,5	NBR	H337897						
19	2	Actuator screw		Iglidur J350	H334376						



Information contained in this document is subject to change without notice and does not represent a commitment on the part of SPX FLOW, Inc.. No part of this document may be reproduced or transmitted in any form or by any means, electronic or mechanical, including photocopying and recording, for any

**Spare parts list:**

**Double seat mix proof valve D4 125-150-6"**  
**DN 150**

Date:	11.10.19 08:02:24
Name:	Size-Si. J.Shresht
Approved by:	
Date:	
Name:	
Approved by:	

Page 4 of 8  
**RN 500.047.03**

**SPX FLOW**

Item	Quantity	Description	Included in spare parts (Pos.)	Material	Part no.
		D41 / 1-6		1.4404	H340135
		D41 / 1-7		1.4404	H340136
1	1	Housing		1.4404	H340137
		D42		1.4404	H340134
		D43		1.4404	H340133
		D44		1.4404	H340132
2	1	Upper valve shaft	13,16,25	1.4404	H341270
3	1	Lower valve shaft		1.4404	H340311
4	1	Shaft bearing		1.4404	H340322
5	2	O-ring		EPDM	H77081
6	1	Yoke		1.4301	H340323
7	1	Guide rod	8,15,16	1.4404	H341299
8	2	Retainer ring		1.4310	H14883
				EPDM	H340325
9	1	Middle seal		HNBR	H340326
				FPM	H340327
				EPDM	H173739
				HNBR	H173738
10	2	Seat seal		FPM	H338070
				EPDM	H77628
11	2	Seat seal		HNBR	H170177
				FPM	H77627
11.1	2	PTFE Shaft seal		PTFE	H340328
12	2	Guide ring		Iglidur A500	H340182
13	1	Guide band		Acoflon	H334865
14	2	Quad ring	12,37x 2,62	EPDM	H311646
15	1	Lock nut M10x1		A2	H118903
16	2	Square key DIN6885 - A - 3x3x10		A2	H335171
17	1	Actuator	18,19,20	1.4301	H340636
18	2	O-ring	30 x 2,5	HNBR	H337897
19	2	Actuator screw		Iglidur J350	H334376
20	2	V-seal			
21	1	W-union G1/8" Ø6mm		hard nickel-plated	H208825
22	1	Venting plug G-1/8"		PE-Hard	H16218
23	1	Stop screw		Grivory	H334382
24	1	Safety nut D3		1.4301	H147640
25	1	Lock washer D4		1.4301	H335172
26	1	Thrust ring		1.4057	H123151
27	8	Hex. screw M10 x 20		A2	H340472
28	1	Yoke cover D4	29	1.4301	H341314
29	4	Savetix head screw M6 x 8 washer M6 as set		1.4301	H340632
30					
31	1	Venting plug G-1/8"		PE-Hard	H16507
32	1	Spray connection DE3		PP	H200320
33	1	G-union 10/8-G1/4" with suppl. Sleeve cpl.		1.4571	H329696
34	1	CU4 , CU4plus adapter cmpl.		PA6.6 GF30 black	See page 8
35	1	CU41 , CU41plus .		PA6.6 GF30 black	See page 8
36	1	Prox. switch holder D4 cmpl.		PA 6.6 GF30 black	H336751
37	1	Operating cam D4 bottom		1.4523 / 444FR	H334386
38	1	Operating cam D4 top		1.4523 / 444FR	H334387
39	4	Hex. screw		A2-70	H340751
40	1	Spacer		PA 6.6 GF30 black	H340179

Information contained in this document is subject to change without notice and does not represent a commitment on the part of SPX FLOW, Inc.. No part of this document may be reproduced or transmitted in any form or by any means, electronic or mechanical, including photocopying and recording, for any

Spare parts list:										
Double seat mix proof valve D4 125-150-6" DN 150										
Item	Quantity	Description	Included in spare parts (Pos.)	Material	Part no.	Item	Quantity	Description	Material	Part no.
		Pos. 9, 10, 11, 12, 13, 14 available as complete seal kits only								
	1	Seal kit		EPDM	H340578					
	1	Seal kit		HNBR	H340579					
	1	Seal kit		FPM	H340580					

SPX FLOW

Date: 11.10.19 08.02.24  
 Name: Size-Si. I.Shreshit  
 Approved by: \_\_\_\_\_  
 Date: \_\_\_\_\_  
 Name: \_\_\_\_\_  
 Approved by: \_\_\_\_\_

Information contained in this document is subject to change without notice and does not represent a commitment on the part of SPX FLOW, Inc.. No part of this document may be reproduced or transmitted in any form or by any means, electronic or mechanical, including photocopying and recording, for any

Item		Description	Included in spare parts (Pos.)	Material	Part no.	Quantity	Spare parts list:		Item	Quantity	Description	Included in spare parts (Pos.)	Material	Part no.
									20	2	V-seal		NBR	H334379
									21	1	W-union G1/8" Ø6mm		hard nickel-plated	H208825
1	1	Housing							22	1	Venting plug G-1/8"		PE-Hard	H16218
									23	1	Stop screw		Grivory	H334382
									24	1	Safety nut D3		1.4301	H147640
									25	1	Lock washer D4		1.4301	H335172
2	1	Upper valve shaft	13,16,25						26	1	Thrust ring		1.4057	H123151
3	1	Lower valve shaft							27	8	Hex. screw M10 x 20		A2	H340472
4	1	Shaft bearing							28	1	Yoke cover D4	29	1.4301	H341314
5	2	O-ring							29	4	Savetix head screw M6 x 8 washer M6 as set		1.4301	H340632
6	1	Yoke							30					
7	1	Guide rod	8,15,16						31	1	Venting plug G-1/8"		PE-Hard	H16507
8	2	Retainer ring							32	1	Spray connection DE3		PP	H200320
9	1	Middle seal							33	1	G-union 10/8-G1/4" with suppl. Sleeve cpl.		1.4571	H329696
10	2	Seat seal							34	1	CU4 , CU4plus adapter cmpl.		PA6.6 GF30 black	See page 8
									35	1	CU41 , CU41plus .		PA6.6 GF30 black	See page 8
11	2	Seat seal							36	1	Prox. switch holder D4 cmpl.		PA 6.6 GF30 black	H336751
11.1	2	PTFE Shaft seal							37	1	Operating cam D4 bottom		1.4523 / 444FR	H334386
12	2	Guide ring							38	1	Operating cam D4 top		1.4523 / 444FR	H334387
13	1	Guide band							39	4	Hex. screw		A2-70	H340751
14	2	Quad ring	12,37x 2,62						40	1	Spacer		PA 6.6 GF30 black	H340179
15	1	Lock nut M10x1												
16	2	Square key DIN6885 - A - 3x3x10												
17	1	Actuator	18,19,20											
18	2	O-ring	30 x 2,5											
19	2	Actuator screw												

Spare parts list:

Double seat mix proof valve D4 125-150-6" 6"

Date: 11.10.19 08:02:24  
 Name: J.Shreshht  
 Approved by:  
 Date:  
 Name:  
 Approved by:

SPX FLOW





Information contained in this document is subject to change without notice and does not represent a commitment on the part of SPX FLOW, Inc.. No part of this document may be reproduced or transmitted in any form or by any means, electronic or mechanical, including photocopying and recording, for any

Item		Quantity	Description	Air connections	Material	Part no.
<p style="text-align: center;"><b>Spare parts list:</b></p> <p style="text-align: center;"><b>Double seat mix proof valve D4 125-150-6"</b></p> <p style="text-align: center;"><b>6"</b></p>						
<p style="text-align: center;"><b>CU4 adapter D4</b></p>						
34	1	CU4 D4 adapter cmpl.	/		PA 6.6 GF30 black	H337098
<p style="text-align: center;"><b>CU4plus adapter D4</b></p>						
34	1	CU4plus D4 V2 adapter cmpl.			PA 6.6 GF30 black	H341891
<p style="text-align: center;"><b>CU4 Control Units</b></p>						
35	1	CU41 D4 DC		6mm	PA 6.6 GF30 black	H336954
	1	CU41 D4 M12 DC		6mm	PA 6.6 GF30 black	H341342
	1	CU41 D4 AS-i Ext.		6mm	PA 6.6 GF30 black	H336956
	1	CU41 D4 M12 AS-i Ext.		6mm	PA 6.6 GF30 black	H338878
	1	CU41 D4 AS-i Std.		6mm	PA 6.6 GF30 black	H338150
	1	CU41 D4 M12 AS-i Std.		6mm	PA 6.6 GF30 black	H338898
	1	CU41 D4 DC		1/4" OD	PA 6.6 GF30 black	H336959
	1	CU41 D4 M12 DC		1/4" OD	PA 6.6 GF30 black	H341351
	1	CU41 D4 AS-i Ext.		1/4" OD	PA 6.6 GF30 black	H336961
	1	CU41 D4 M12 AS-i Ext.		1/4" OD	PA 6.6 GF30 black	H338900
	1	CU41 D4 AS-i Std.		1/4" OD	PA 6.6 GF30 black	H338151
	1	CU41 D4 M12 AS-i Std.		1/4" OD	PA 6.6 GF30 black	H338902
<p style="text-align: center;"><b>CU4plus Control Units</b></p>						
	1	CU41plus D4 V2 AS-i Ext.		6mm	PA 6.6 GF30 black	H338821
	1	CU41plus D4 V2 M12 AS-i Ext.		6mm	PA 6.6 GF30 black	H338866
	1	CU41plus-D4-M12 IO-LINK		6mm	PA 6.6 GF30 black	H345138
	1	CU41plus-D4-M12 AS-i V5		6mm	PA 6.6 GF30 black	H348039
	1	CU41plus-D4-M12 Direct Connect		6mm	PA 6.6 GF30 black	H342462
	1	CU41plus-D4-Direct Connect		6mm	PA 6.6 GF30 black	H342442
	1	CU41plus-D4-M12 AS-i V5		1/4" OD	PA 6.6 GF30 black	H348040
	1	CU41plus-D4-M12 IO-LINK		1/4" OD	PA 6.6 GF30 black	H345139
	1	CU41plus D4 V2 AS-i Ext.		1/4" OD	PA 6.6 GF30 black	H338825
	1	CU41plus D4 V2 M12 AS-i Ext.		1/4" OD	PA 6.6 GF30 black	H338870
	1	CU41plus-D4-M12 Direct Connect		1/4" OD	PA 6.6 GF30 black	H342463
	1	CU41plus-D4-Direct Connect		1/4" OD	PA 6.6 GF30 black	H342443

Date: 11.10.19 08.02.24

Name: J. Shresht

Approved by:

Date:

Name:

Approved by:

Page 8 of 8

**RN 500.047.03**

**SPX FLOW**

Information contained in this document is subject to change without notice and does not represent a commitment on the part of SPX FLOW, Inc.. No part of this document may be reproduced or transmitted in any form or by any means, electronic or mechanical, including photocopying and recording, for any

Spare parts list:

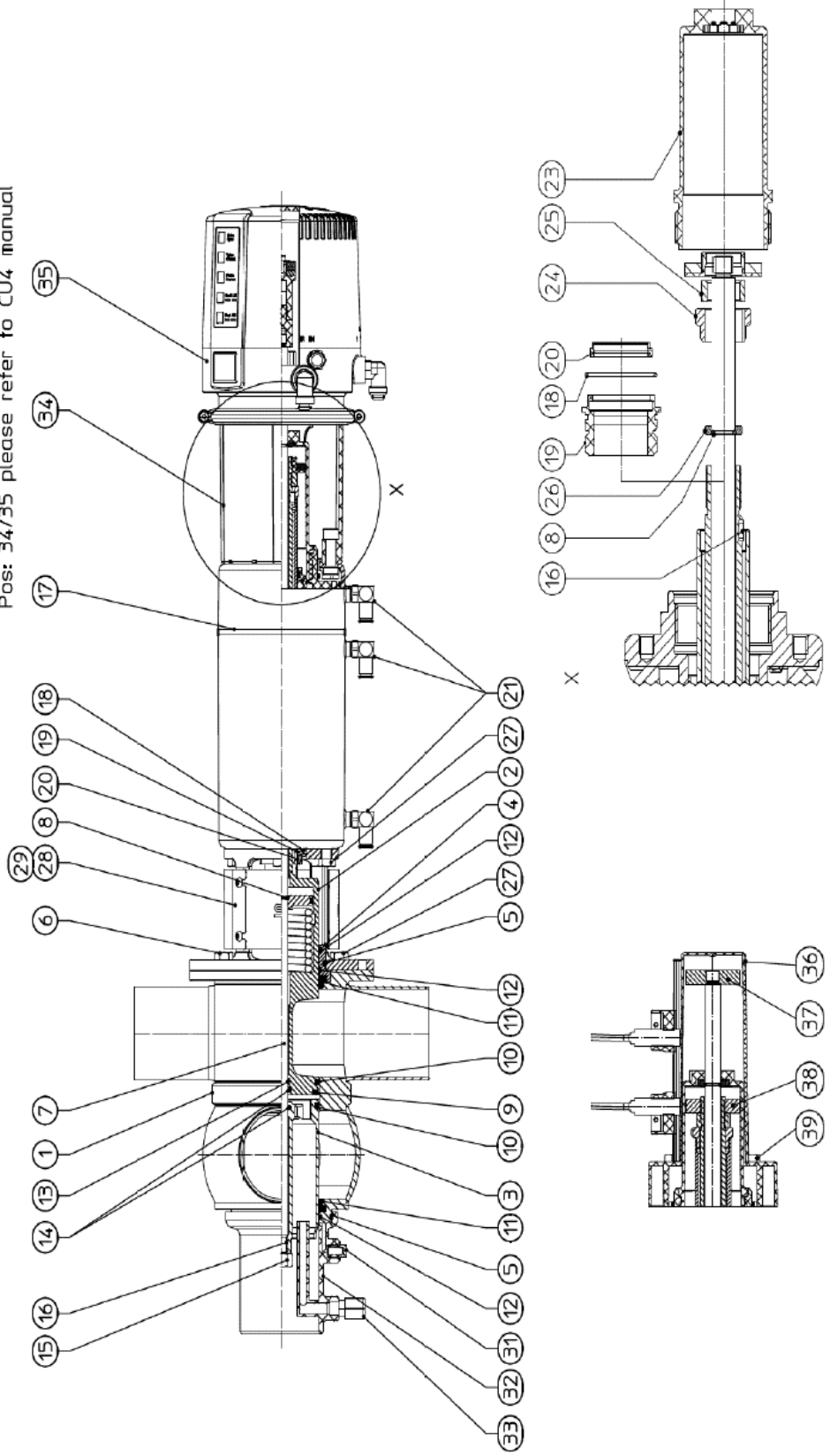
Double seat mix proof valve D4 SL 1.5" - 4"; DN 40 - 100

Date:	16.3.18	30.10.18	11.10.19	08.02.24
Name:	C.Keil	C.Keil	Sze-Si.	N.Shre
Approved by:				
Date:				
Name:				
Approved by:				

SPX FLOW

Page 1 of 12  
RN 501.047.01

Pos: 34/35 please refer to CU4 manual



Information contained in this document is subject to change without notice and does not represent a commitment on the part of SPX FLOW, Inc.. No part of this document may be reproduced or transmitted in any form or by any means, electronic or mechanical, including photocopying and recording, for any

Spare parts list:		Date: 16.3.18	11.10.19	08.02.24	<b>SPX FLOW</b>	
		Name: C.Keil	Size-Si:	N.Shre		
		Approved by:				
		Date:			Page 2	of 12
		Name:			<b>RN 501.047.01</b>	
		Approved by:				

**Double seat mix proof valve D4 SL 1.5" - 4"; DN 40 - 100  
DN 40**

Item	Quantity	Description	Included in spare parts (Pos.)	Material	Part no.	Item	Quantity	Description	Included in spare parts (Pos.)	Material	Part no.
		D41 1-6		1.4404	H337180	21	3	W-union G1/8" Ø6mm		hard nickel-plated	H208825
		D41 1-7		1.4404	H337170	23	1	Stop screw		Grivory	H334382
1	1	Housing		1.4404	H337190	24	1	Lock washer D4		1.4301	H335172
		D42		1.4404	H337023	25	1	Safety nut D3		1.4301	H147640
		D43		1.4404	H337033	26	1	Thrust ring		1.4057	H123151
		D44		1.4404	H335273	27	8	Hex. screw M8 x 16		A2	H78772
2	1	Upper valve shaft	13,16,25	1.4404	H341262	28	1	Yoke cover D4	29	1.4301	H341311
3	1	Lower valve shaft		1.4404	H334986	29	4	Savetix head screw M4 x 8 washer M4 as set		1.4301	H336707
4	1	Shaft bearing		1.4404	H334381	30					
5	2	O-ring		EPDM	H77039	31	1	Venting plug G-1/8"		PE-Hard	H16507
6	1	Yoke		1.4301	H334383	32	1	Spray connection DE3		PP	H168321
7	1	Guide rod	8,15,16	1.4404	H341291	33	1	G-union 8x1-G1/8"		PVDF-black	H16388
8	2	Retainer ring		1.4310	H14883	34	1	CU4 , CU4plus adapter cmpl.		PA6.6 GF30 black	See page 8
9	1	Middle seal		EPDM	H327602	35	1	CU43 , CU43plus .		PA6.6 GF30 black	See page 8
				HNBR	H332652	36	1	Prox. switch holder D4 cmpl.		PA 6.6 GF30 black	H336751
10	2	Seat seal		FPM	H332653	37	1	Operating cam D4 bottom		1.4523 / 444FR	H334386
				EPDM	H168192	38	1	Operating cam D4 top		1.4523 / 444FR	H334387
				HNBR	H171561	39	4	Hex. screw M8x40		A2-70	H336675
				FPM	H171559	<b>Pos. 9, 10, 11, 12, 14 available as complete seal kits only</b>					
11	2	Seat seal		EPDM	H337476			Seal kit		EPDM	H337884
				HNBR	H337478			Seal kit		HNBR	H337885
12	3	Guide ring		FPM	H337477			Seal kit		FPM	H337886
13	1	Guide band		Iglidur A500	H334863						
14	1	Quad ring	12,37x 2,62	Acoflon	H334865						
15	1	Lock nut M10x1		EPDM	H311646						
16	2	Square key 3x3x10 DIN6885 Form A		A2	H118903						
17	1	Actuator	18,19,20	A2	H335171						
18	2	O-ring	30 x 2,5	1.4301	H335470						
19	2	Actuator screw		NBR	H337897						
20	2	V-seal		Iglidur J350	H334376						
				NBR	H334379						

Information contained in this document is subject to change without notice and does not represent a commitment on the part of SPX FLOW, Inc.. No part of this document may be reproduced or transmitted in any form or by any means, electronic or mechanical, including photocopying and recording, for any

Item		Description	Included in spare parts (Pos.)	Material	Part no.	Quantity	Item	Quantity	Description	Included in spare parts (Pos.)	Material	Part no.
		D41 1-6		1.4404	H337185	3	21	3	W-union G1/8" Ø6mm		hard nickel-plated	H208825
		D41 1-7		1.4404	H337175	1	23	1	Stop screw		Grivory	H334382
1	1	Housing		1.4404	H337195	1	24	1	Lock washer D4		1.4301	H335172
		D42		1.4404	H337028	1	25	1	Safety nut D3		1.4301	H147640
		D43		1.4404	H337038	1	26	1	Thrust ring		1.4057	H123151
		D44		1.4404	H335272	8	27	8	Hex. screw M8 x 16		A2	H78772
2	1	Upper valve shaft	13,16,25	1.4404	H341262	1	28	1	Yoke cover D4	29	1.4301	H341311
3	1	Lower valve shaft		1.4404	H334986	4	29	4	Savetix head screw M4 x 8 washer M4 as set		1.4301	H336707
4	1	Shaft bearing		1.4404	H334381		30					
5	2	O-ring		EPDM	H77039		31		Venting plug G-1/8"		PE-Hard	H16507
6	1	Yoke		1.4301	H334383	1	32	1	Spray connection DE3		PP	H168321
7	1	Guide rod	8,15,16	1.4404	H341291	1	33	1	G-union 8x1-G1/8"		PVDF-black	H16388
8	2	Retainer ring		1.4310	H14883	1	34	1	CU4 , CU4plus adapter cmpl.		PA6.6 GF30 black	See page 8
9	1	Middle seal		EPDM	H327602		35	1	CU43 , CU43plus .		PA6.6 GF30 black	See page 8
10	2	Seat seal		EPDM	H168192		36	1	Prox. switch holder D4 cmpl.		PA 6.6 GF30 black	H336751
11	2	Seat seal		HNBR	H171561		37	1	Operating cam D4 bottom		1.4523 / 444FR	H334386
				FPM	H171559		38	1	Operating cam D4 top		1.4523 / 444FR	H334387
				EPDM	H337476		39	4	Hex. screw M8x40		A2-70	H336675
				HNBR	H337478				<b>Pos. 9, 10, 11, 12, 14 available as complete seal kits only</b>			
				EPDM	H337477							
				Iglidur A500	H334863							
				Acoflon	H334865							
				EPDM	H311646							
				A2	H118903							
				A2	H335171							
				1.4301	H335470							
				NBR	H337897							
				Iglidur J350	H334376							
				NBR	H334379							

Spare parts list:

Double seat mix proof valve D4 SL 1.5" - 4"; DN 40 - 100  
1,5"

Date: 16.3.18 11.10.19 08.02.24  
 Name: C.Keil N.Shre  
 Approved by:  
 Date:  
 Name:  
 Approved by:

SPX FLOW

Information contained in this document is subject to change without notice and does not represent a commitment on the part of SPX FLOW, Inc.. No part of this document may be reproduced or transmitted in any form or by any means, electronic or mechanical, including photocopying and recording, for any

Spare parts list:		Date: 16.3.18	11.10.19	08.02.24	<b>SPX FLOW</b>	
		Name: C.Keil	Size-Si:	N.Shre		
		Approved by:				
		Date:			Page 4	of 12
		Name:			<b>RN 501.047.01</b>	
		Approved by:				

**Double seat mix proof valve D4 SL 1.5" - 4"; DN 40 - 100  
DN 50**

Item	Quantity	Description	Included in spare parts (Pos.)	Material	Part no.	Item	Quantity	Description	Included in spare parts (Pos.)	Material	Part no.
		D41 1-6		1.4404	H337181	21	3	W-union G1/8" Ø6mm		hard nickel-plated	H208825
		D41 1-7		1.4404	H337171	23	1	Stop screw		Grivory	H334382
1	1	Housing		1.4404	H337191	24	1	Lock washer D4		1.4301	H335172
		D42		1.4404	H337024	25	1	Safety nut D3		1.4301	H147640
		D43		1.4404	H337034	26	1	Thrust ring		1.4057	H123151
		D44		1.4404	H335274	27	8	Hex. screw M8 x 16		A2	H78772
2	1	Upper valve shaft	13,16,25	1.4404	H341263	28	1	Yoke cover D4	29	1.4301	H341311
3	1	Lower valve shaft		1.4404	H334987	29	4	Savetix head screw M4 x 8 washer M4 as set		1.4301	H336707
4	1	Shaft bearing		1.4404	H334381	30					
5	2	O-ring		EPDM	H77039	31	1	Venting plug G-1/8"		PE-Hard	H16507
6	1	Yoke		1.4301	H334383	32	1	Spray connection DE3		PP	H168321
7	1	Guide rod	8,15,16	1.4404	H341292	33	1	G-union 8x1-G1/8"		PVDF-black	H16388
8	2	Retainer ring		1.4310	H14883	34	1	CU4 , CU4plus adapter cmpl.		PA6.6 GF30 black	See page 8
9	1	Middle seal		EPDM	H327602	35	1	CU43 , CU43plus .		PA6.6 GF30 black	See page 8
				HNBR	H332652	36	1	Prox. switch holder D4 cmpl.		PA 6.6 GF30 black	H336751
10	2	Seat seal		FPM	H332653	37	1	Operating cam D4 bottom		1.4523 / 444FR	H334386
				EPDM	H168192	38	1	Operating cam D4 top		1.4523 / 444FR	H334387
				HNBR	H171561	39	4	Hex. screw M8x40		A2-70	H336675
				FPM	H171559	<b>Pos. 9, 10, 11, 12, 14 available as complete seal kits only</b>					
11	2	Seat seal		EPDM	H337476			Seal kit		EPDM	H337884
				HNBR	H337478			Seal kit		HNBR	H337885
12	3	Guide ring		FPM	H337477			Seal kit		FPM	H337886
13	1	Guide band		Iglidur A500	H334863						
14	1	Quad ring	12,37x 2,62	Acoflon	H334865						
15	1	Lock nut M10x1		EPDM	H311646						
16	2	Square key 3x3x10 DIN6885 Form A		A2	H118903						
17	1	Actuator	18,19,20	A2	H335171						
18	2	O-ring		1.4301	H335469						
19	2	Actuator screw	30 x 2,5	NBR	H337897						
20	2	V-seal		Iglidur J350	H334376						
				NBR	H334379						

Information contained in this document is subject to change without notice and does not represent a commitment on the part of SPX FLOW, Inc.. No part of this document may be reproduced or transmitted in any form or by any means, electronic or mechanical, including photocopying and recording, for any

Spare parts list:		Date: 16.3.18	11.10.19	08.02.24	<b>SPX FLOW</b>	
		Name: C.Keil	Size-Si:	N.Shre		
		Approved by:				
		Date:			Page 5	of 12
		Name:			<b>RN 501.047.01</b>	
		Approved by:				

**Double seat mix proof valve D4 SL 1.5" - 4"; DN 40 - 100  
2"**

Item	Quantity	Description	Included in spare parts (Pos.)	Material	Part no.	Item	Quantity	Description	Included in spare parts (Pos.)	Material	Part no.
		D41 1-6		1.4404	H337186	21	3	W-union G1/8" Ø6mm		hard nickel-plated	H208825
		D41 1-7		1.4404	H337176	23	1	Stop screw		Grivory	H334382
1	1	Housing		1.4404	H337196	24	1	Lock washer D4		1.4301	H335172
		D42		1.4404	H337029	25	1	Safety nut D3		1.4301	H147640
		D43		1.4404	H337039	26	1	Thrust ring		1.4057	H123151
		D44		1.4404	H335271	27	8	Hex. screw M8 x 16		A2	H78772
2	1	Upper valve shaft	13,16,25	1.4404	H341263	28	1	Yoke cover D4	29	1.4301	H341311
3	1	Lower valve shaft		1.4404	H334987	29	4	Savetix head screw M4 x 8 washer M4 as set		1.4301	H336707
4	1	Shaft bearing		1.4404	H334381	30					
5	2	O-ring		EPDM	H77039	31	1	Venting plug G-1/8"		PE-Hard	H16507
6	1	Yoke		1.4301	H334383	32	1	Spray connection DE3		PP	H168321
7	1	Guide rod	8,15,16	1.4404	H341292	33	1	G-union 8x1-G1/8"		PVDF-black	H16388
8	2	Retainer ring		1.4310	H14883	34	1	CU4 , CU4plus adapter cmpl.		PA6.6 GF30 black	See page 8
9	1	Middle seal		EPDM	H327602	35	1	CU43 , CU43plus .		PA6.6 GF30 black	See page 8
				FPM	H332653	36	1	Prox. switch holder D4 cmpl.		PA 6.6 GF30 black	H336751
10	2	Seat seal		EPDM	H168192	37	1	Operating cam D4 bottom		1.4523 / 444FR	H334386
				HNBR	H171561	38	1	Operating cam D4 top		1.4523 / 444FR	H334387
				FPM	H171559	39	4	Hex. screw M8x40		A2-70	H336675
				EPDM	H334863	<b>Pos. 9, 10, 11, 12, 14 available as complete seal kits only</b>					
				Acoflon	H334865		1	Seal kit		EPDM	H337884
				EPDM	H311646		1	Seal kit		HNBR	H337885
				A2	H118903		1	Seal kit		FPM	H337886
				A2	H335171						
				1.4301	H335469						
17	1	Actuator	18,19,20	NBR	H337897						
18	2	O-ring	30 x 2,5	NBR	H334376						
19	2	Actuator screw		Igildur J350	H334376						
20	2	V-seal		NBR	H334379						

Information contained in this document is subject to change without notice and does not represent a commitment on the part of SPX FLOW, Inc.. No part of this document may be reproduced or transmitted in any form or by any means, electronic or mechanical, including photocopying and recording, for any

Spare parts list:		Date: 16.3.18	11.10.19	08.02.24	<b>SPX FLOW</b>	
		Name: C.Keil	Size-Si:	N.Shre		
		Approved by:				
		Date:			Page 6	of 12
		Name:			<b>RN 501.047.01</b>	
		Approved by:				

**Double seat mix proof valve D4 SL 1.5" - 4"; DN 40 - 100  
DN 65**

Item	Quantity	Description	Included in spare parts (Pos.)	Material	Part no.	Item	Quantity	Description	Included in spare parts (Pos.)	Material	Part no.
		D41 1-6		1.4404	H337182	21	3	W-union G1/8" Ø6mm		hard nickel-plated	H208825
		D41 1-7		1.4404	H337172	23	1	Stop screw		Grivory	H334382
1	1	Housing		1.4404	H337192	24	1	Lock washer D4		1.4301	H335172
		D42		1.4404	H337025	25	1	Safety nut D3		1.4301	H147640
		D43		1.4404	H337035	26	1	Thrust ring		1.4057	H123151
		D44		1.4404	H334443	27	8	Hex. screw M8 x 16		A2	H78772
2	1	Upper valve shaft	13,16,25	1.4404	H341264	28	1	Yoke cover D4	29	1.4301	H341311
3	1	Lower valve shaft		1.4404	H334446	29	4	Savetix head screw M4 x 8 washer M4 as set		1.4301	H336707
4	1	Shaft bearing		1.4404	H334381	30					
5	2	O-ring		EPDM	H77039	31	1	Venting plug G-1/8"		PE-Hard	H16507
6	1	Yoke		1.4301	H334383	32	1	Spray connection DE3		PP	H168321
7	1	Guide rod	8,15,16	1.4404	H341293	33	1	G-union 8x1-G1/8"		PVDF-black	H16388
8	2	Retainer ring		1.4310	H14883	34	1	CU4 , CU4plus adapter cmpl.		PA6.6 GF30 black	See page 8
9	1	Middle seal		EPDM	H327602	35	1	CU43 , CU43plus .		PA6.6 GF30 black	See page 8
				HNBR	H332652	36	1	Prox. switch holder D4 cmpl.		PA 6.6 GF30 black	H336751
10	2	Seat seal		FPM	H332653	37	1	Operating cam D4 bottom		1.4523 / 444FR	H334386
				EPDM	H168192	38	1	Operating cam D4 top		1.4523 / 444FR	H334387
				HNBR	H171561	39	4	Hex. screw M8x40		A2-70	H336675
				FPM	H171559	<b>Pos. 9, 10, 11, 12, 14 available as complete seal kits only</b>					
11	2	Seat seal		EPDM	H337476					EPDM	H337884
				HNBR	H337478					HNBR	H337885
				FPM	H337477					FPM	H337886
12	3	Guide ring		Igildur A500	H334863						
13	1	Guide band		Acoflon	H334865						
14	1	Quad ring	12,37x 2,62	EPDM	H311646						
15	1	Lock nut M10x1		A2	H118903						
16	2	Square key 3x3x10 DIN6885 Form A		A2	H335171						
17	1	Actuator	18,19,20	1.4301	H334394						
18	2	O-ring	30 x 2,5	NBR	H337897						
19	2	Actuator screw		Igildur J350	H334376						
20	2	V-seal		NBR	H334379						

Information contained in this document is subject to change without notice and does not represent a commitment on the part of SPX FLOW, Inc.. No part of this document may be reproduced or transmitted in any form or by any means, electronic or mechanical, including photocopying and recording, for any

Spare parts list:		Date: 16.3.18	11.10.19	08.02.24	<b>SPX FLOW</b>	
		Name: C.Keil	Size-Si:	N.Shre		
		Approved by:				
		Date:			Page 7	of 12
		Name:			<b>RN 501.047.01</b>	
		Approved by:				

**Double seat mix proof valve D4 SL 1.5" - 4"; DN 40 - 100  
2,5"**

Item	Quantity	Description	Included in spare parts (Pos.)	Material	Part no.	Item	Quantity	Description	Included in spare parts (Pos.)	Material	Part no.
		D41 1-6		1.4404	H337187	21	3	W-union G1/8" Ø6mm		hard nickel-plated	H208825
		D41 1-7		1.4404	H337177	23	1	Stop screw		Grivory	H334382
1	1	Housing		1.4404	H337197	24	1	Lock washer D4		1.4301	H335172
		D42		1.4404	H337030	25	1	Safety nut D3		1.4301	H147640
		D43		1.4404	H337040	26	1	Thrust ring		1.4057	H123151
		D44		1.4404	H335270	27	8	Hex. screw M8 x 16		A2	H78772
2	1	Upper valve shaft	13,16,25	1.4404	H341265	28	1	Yoke cover D4	29	1.4301	H341311
3	1	Lower valve shaft		1.4404	H335391	29	4	Savetix head screw M4 x 8 washer M4 as set		1.4301	H336707
4	1	Shaft bearing		1.4404	H334381	30					
5	2	O-ring		EPDM	H77039	31	1	Venting plug G-1/8"		PE-Hard	H16507
6	1	Yoke		1.4301	H334383	32	1	Spray connection DE3		PP	H168321
7	1	Guide rod	8,15,16	1.4404	H341294	33	1	G-union 8x1-G1/8"		PVDF-black	H16388
8	2	Retainer ring		1.4310	H14883	34	1	CU4 , CU4plus adapter cmpl.		PA6.6 GF30 black	See page 8
9	1	Middle seal		EPDM	H327602	35	1	CU43 , CU43plus .		PA6.6 GF30 black	See page 8
				FPM	H332653	36	1	Prox. switch holder D4 cmpl.		PA 6.6 GF30 black	H336751
10	2	Seat seal		EPDM	H168192	37	1	Operating cam D4 bottom		1.4523 / 444FR	H334386
				HNBR	H171561	38	1	Operating cam D4 top		1.4523 / 444FR	H334387
				FPM	H171559	39	4	Hex. screw M8x40		A2-70	H336675
11	2	Seat seal		EPDM	H337476	<b>Pos. 9, 10, 11, 12, 14 available as complete seal kits only</b>					
				HNBR	H337478						
				FPM	H337477						
12	3	Guide ring		Igildur A500	H334863						
13	1	Guide band		Acoflon	H334865						
14	1	Quad ring	12,37x 2,62	EPDM	H311646						
15	1	Lock nut M10x1		A2	H118903						
16	2	Square key 3x3x10 DIN6885 Form A		A2	H335171						
17	1	Actuator	18,19,20	1.4301	H335468						
18	2	O-ring	30 x 2,5	NBR	H337897						
19	2	Actuator screw		Igildur J350	H334376						
20	2	V-seal		NBR	H334379						



Information contained in this document is subject to change without notice and does not represent a commitment on the part of SPX FLOW, Inc.. No part of this document may be reproduced or transmitted in any form or by any means, electronic or mechanical, including photocopying and recording, for any

Spare parts list:		Date: 16.3.18	11.10.19	08.02.24	<b>SPX FLOW</b>	
		Name: C.Keil	Size-Si:	N.Shre		
		Approved by:				
		Date:			Page 8	of 12
		Name:			<b>RN 501.047.01</b>	
		Approved by:				

**Double seat mix proof valve D4 SL 1.5" - 4"; DN 40 - 100  
3"**

Item	Quantity	Description	Included in spare parts (Pos.)	Material	Part no.	Item	Quantity	Description	Included in spare parts (Pos.)	Material	Part no.
		D41 1-6		1.4404	H337188	21	3	W-union G1/8" Ø6mm		hard nickel-plated	H208825
		D41 1-7		1.4404	H337178	23	1	Stop screw		Grivory	H334382
1	1	Housing		1.4404	H337198	24	1	Lock washer D4		1.4301	H335172
		D42		1.4404	H337031	25	1	Safety nut D3		1.4301	H147640
		D43		1.4404	H337041	26	1	Thrust ring		1.4057	H123151
		D44		1.4404	H335275	27	8	Hex. screw M8 x 16		A2	H78772
2	1	Upper valve shaft	13,16,25	1.4404	H341267	28	1	Yoke cover D4	29	1.4301	H341311
3	1	Lower valve shaft		1.4404	H335392	29	4	Savetix head screw M4 x 8 washer M4 as set		1.4301	H336707
4	1	Shaft bearing		1.4404	H334381	30					
5	2	O-ring		EPDM	H77039	31	1	Venting plug G-1/8"		PE-Hard	H16507
6	1	Yoke		1.4301	H334383	32	1	Spray connection DE3		PP	H168321
7	1	Guide rod	8,15,16	1.4404	H341296	33	1	G-union 8x1-G1/8"		PVDF-black	H16388
8	2	Retainer ring		1.4310	H14883	34	1	CU4 , CU4plus adapter cmpl.		PA6.6 GF30 black	See page 8
9	1	Middle seal		EPDM	H327602	35	1	CU43 , CU43plus .		PA6.6 GF30 black	See page 8
				HNBR	H332652	36	1	Prox. switch holder D4 cmpl.		PA 6.6 GF30 black	H336751
10	2	Seat seal		FPM	H332653	37	1	Operating cam D4 bottom		1.4523 / 444FR	H334386
				EPDM	H168192	38	1	Operating cam D4 top		1.4523 / 444FR	H334387
				HNBR	H171561	39	4	Hex. screw M8x40		A2-70	H336675
				FPM	H171559	<b>Pos. 9, 10, 11, 12, 14 available as complete seal kits only</b>					
11	2	Seat seal		EPDM	H337476					EPDM	H337884
				HNBR	H337478					HNBR	H337885
				FPM	H337477					FPM	H337886
12	3	Guide ring		Iglidur A500	H334863						
13	1	Guide band		Acoflon	H334865						
14	1	Quad ring	12,37x 2,62	EPDM	H311646						
15	1	Lock nut M10x1		A2	H118903						
16	2	Square key 3x3x10 DIN6885 Form A		A2	H335171						
17	1	Actuator	18,19,20	1.4301	H334394						
18	2	O-ring	30 x 2,5	NBR	H337897						
19	2	Actuator screw		Iglidur J350	H334376						
20	2	V-seal		NBR	H334379						

Information contained in this document is subject to change without notice and does not represent a commitment on the part of SPX FLOW, Inc.. No part of this document may be reproduced or transmitted in any form or by any means, electronic or mechanical, including photocopying and recording, for any

Spare parts list:		Date: 16.3.18	11.10.19	08.02.24	<b>SPX FLOW</b>	
		Name: C.Keil	Size-Si:	N.Shre		
		Approved by:				
		Date:			Page 9	of 12
		Name:			<b>RN 501.047.01</b>	
		Approved by:				

**Double seat mix proof valve D4 SL 1.5" - 4"; DN 40 - 100  
DN 80**

Item	Quantity	Description	Included in spare parts (Pos.)	Material	Part no.	Item	Quantity	Description	Included in spare parts (Pos.)	Material	Part no.
		D41 1-6		1.4404	H337183	21	3	W-union G1/8" Ø6mm		hard nickel-plated	H208825
		D41 1-7		1.4404	H337173	23	1	Stop screw		Grivory	H334382
1	1	Housing		1.4404	H337193	24	1	Lock washer D4		1.4301	H335172
		D42		1.4404	H337026	25	1	Safety nut D3		1.4301	H147640
		D43		1.4404	H337036	26	1	Thrust ring		1.4057	H123151
		D44		1.4404	H335278	27	8	Hex. screw M8 x 16		A2	H78772
2	1	Upper valve shaft	13,16,25	1.4404	H341266	28	1	Yoke cover D4	29	1.4301	H341312
3	1	Lower valve shaft		1.4404	H335393	29	4	Savetix head screw M4 x 8 washer M4 as set		1.4301	H336707
4	1	Shaft bearing		1.4404	H335713	30					
5	2	O-ring		EPDM	H77061	31	1	Venting plug G-1/8"		PE-Hard	H16507
6	1	Yoke		1.4301	H335994	32	1	Spray connection DE3		PP	H168322
7	1	Guide rod	8,15,16	1.4404	H341295	33	1	G-union 8x1-G1/8"		PVDF-black	H16388
8	2	Retainer ring		1.4310	H14883	34	1	CU4 , CU4plus adapter cmpl.		PA6.6 GF30 black	See page 8
9	1	Middle seal		EPDM	H327985	35	1	CU43 , CU43plus .		PA6.6 GF30 black	See page 8
				HNBR	H332649	36	1	Prox. switch holder D4 cmpl.		PA 6.6 GF30 black	H336751
10	2	Seat seal		FPM	H332648	37	1	Operating cam D4 bottom		1.4523 / 444FR	H334386
				EPDM	H168153	38	1	Operating cam D4 top		1.4523 / 444FR	H334387
				HNBR	H171565	39	4	Hex. screw M8x40		A2-70	H336675
				FPM	H171563	<b>Pos. 9, 10, 11, 12, 14 available as complete seal kits only</b>					
11	2	Seat seal		EPDM	H337668					EPDM	H337887
				HNBR	H337670					HNBR	H337888
				FPM	H337669					FPM	H337889
12	3	Guide ring		Igildur A500	H335702						
13	1	Guide band		Acoflon	H334865						
14	1	Quad ring	12,37x 2,62	EPDM	H311646						
15	1	Lock nut M10x1		A2	H118903						
16	2	Square key 3x3x10 DIN6885 Form A		A2	H335171						
17	1	Actuator	18,19,20	1.4301	H335862						
18	2	O-ring	30 x 2,5	NBR	H337897						
19	2	Actuator screw		Igildur J350	H334376						
20	2	V-seal		NBR	H334379						

Information contained in this document is subject to change without notice and does not represent a commitment on the part of SPX FLOW, Inc.. No part of this document may be reproduced or transmitted in any form or by any means, electronic or mechanical, including photocopying and recording, for any

Spare parts list:		Date: 16.3.18	11.10.19	08.02.24	<b>SPX FLOW</b>	
		Name: C.Keil	Size-Si:	N.Shre		
		Approved by:				
		Date:			Page 10	of 12
		Name:			<b>RN 501.047.01</b>	
		Approved by:				

**Double seat mix proof valve D4 SL 1.5" - 4"; DN 40 - 100  
DN 100**

Item	Quantity	Description	Included in spare parts (Pos.)	Material	Part no.	Item	Quantity	Description	Included in spare parts (Pos.)	Material	Part no.
		D41 1-6		1.4404	H337184	21	3	W-union G1/8" Ø6mm		hard nickel-plated	H208825
		D41 1-7		1.4404	H337174	23	1	Stop screw		Grivory	H334382
1	1	Housing		1.4404	H337194	24	1	Lock washer D4		1.4301	H335172
		D42		1.4404	H337027	25	1	Safety nut D3		1.4301	H147640
		D43		1.4404	H337037	26	1	Thrust ring		1.4057	H123151
		D44		1.4404	H335279	27	8	Hex. screw M8 x 16		A2	H78772
2	1	Upper valve shaft	13,16,25	1.4404	H341268	28	1	Yoke cover D4	29	1.4301	H341312
3	1	Lower valve shaft		1.4404	H335394	29	4	Savetix head screw M4 x 8 washer M4 as set		1.4301	H336707
4	1	Shaft bearing		1.4404	H335713	30					
5	2	O-ring		EPDM	H77061						
6	1	Yoke		1.4301	H335994	31	1	Venting plug G-1/8"		PE-Hard	H16507
7	1	Guide rod	8,15,16	1.4404	H341297	32	1	Spray connection DE3		PP	H168322
8	2	Retainer ring		1.4310	H14883	33	1	G-union 8x1-G1/8"		PVDF-black	H16388
9	1	Middle seal		EPDM	H327985	34	1	CU4 , CU4plus adapter compl.		PA6.6 GF30 black	See page 8
				HNBR	H332649						
				FPM	H332648	35	1	CU43 , CU43plus .		PA6.6 GF30 black	See page 8
				EPDM	H168153						
10	2	Seat seal		HNBR	H171565	36	1	Prox. switch holder D4 compl.		PA 6.6 GF30 black	H336751
				FPM	H171563						
				EPDM	H337668	37	1	Operating cam D4 bottom		1.4523 / 444FR	H334386
11	2	Seat seal		HNBR	H337670	38	1	Operating cam D4 top		1.4523 / 444FR	H334387
				FPM	H337669	39	4	Hex. screw M8x40		A2-70	H336675
12	3	Guide ring		Iglidur A500	H335702			<b>Pos. 9, 10, 11, 12, 14 available as complete seal kits only</b>			
13	1	Guide band		Acoflon	H334865						
14	1	Quad ring	12,37x 2,62	EPDM	H311646						
15	1	Lock nut M10x1		A2	H118903						
16	2	Square key 3x3x10 DIN6885 Form A		A2	H335171						
17	1	Actuator	18,19,20	1.4301	H335862						
18	2	O-ring	30 x 2,5	NBR	H337897						
19	2	Actuator screw		Iglidur J350	H334376						
20	2	V-seal		NBR	H334379						

Information contained in this document is subject to change without notice and does not represent a commitment on the part of SPX FLOW, Inc.. No part of this document may be reproduced or transmitted in any form or by any means, electronic or mechanical, including photocopying and recording, for any

Spare parts list:		Date: 16.3.18	11.10.19	08.02.24	<b>SPX FLOW</b>	
		Name: C.Keil	Size-Si:	N.Shre		
		Approved by:				
		Date:			Page 11	of 12
		Name:			<b>RN 501.047.01</b>	
		Approved by:				

**Double seat mix proof valve D4 SL 1.5" - 4"; DN 40 - 100  
4"**

Item	Quantity	Description	Included in spare parts (Pos.)	Material	Part no.	Item	Quantity	Description	Included in spare parts (Pos.)	Material	Part no.
		D41 1-6		1.4404	H337189	21	3	W-union G1/8" Ø6mm		hard nickel-plated	H208825
		D41 1-7		1.4404	H337179	23	1	Stop screw		Grivory	H334382
1	1	Housing		1.4404	H337199	24	1	Lock washer D4		1.4301	H335172
		D42		1.4404	H337032	25	1	Safety nut D3		1.4301	H147640
		D43		1.4404	H337042	26	1	Thrust ring		1.4057	H123151
		D44		1.4404	H335280	27	8	Hex. screw M8 x 16		A2	H78772
2	1	Upper valve shaft	13,16,25	1.4404	H341268	28	1	Yoke cover D4	29	1.4301	H341312
3	1	Lower valve shaft		1.4404	H335394	29	4	Savetix head screw M4 x 8 washer M4 as set		1.4301	H336707
4	1	Shaft bearing		1.4404	H335713	30					
5	2	O-ring		EPDM	H77061						
6	1	Yoke		1.4301	H335994	31	1	Venting plug G-1/8"		PE-Hard	H16507
7	1	Guide rod	8,15,16	1.4404	H341297	32	1	Spray connection DE3		PP	H168322
8	2	Retainer ring		1.4310	H14883	33	1	G-union 8x1-G1/8"		PVDF-black	H16388
9	1	Middle seal		EPDM	H327985	34	1	CU4 , CU4plus adapter cmpl.		PA6.6 GF30 black	See page 8
				HNBR	H332649						
				FPM	H332648	35	1	CU43 , CU43plus .		PA6.6 GF30 black	See page 8
10	2	Seat seal		EPDM	H168153						
				HNBR	H171565	36	1	Prox. switch holder D4 cmpl.		PA 6.6 GF30 black	H336751
				FPM	H171563						
11	2	Seat seal		EPDM	H337668	37	1	Operating cam D4 bottom		1.4523 / 444FR	H334386
				HNBR	H337670	38	1	Operating cam D4 top		1.4523 / 444FR	H334387
				FPM	H337669	39	4	Hex. screw M8x40		A2-70	H336675
12	3	Guide ring		Iglidur A500	H335702			<b>Pos. 9, 10, 11, 12, 14 available as complete seal kits only</b>			
13	1	Guide band		Acoflon	H334865						
14	1	Quad ring	12,37x 2,62	EPDM	H311646						
15	1	Lock nut M10x1		A2	H118903						
16	2	Square key 3x3x10 DIN6885 Form A		A2	H335171						
17	1	Actuator	18,19,20	1.4301	H335862						
18	2	O-ring	30 x 2,5	NBR	H337897						
19	2	Actuator screw		Iglidur J350	H334376						
20	2	V-seal		NBR	H334379						

Information contained in this document is subject to change without notice and does not represent a commitment on the part of SPX FLOW, Inc.. No part of this document may be reproduced or transmitted in any form or by any means, electronic or mechanical, including photocopying and recording, for any

Item		Quantity		Description		Air connections		Material		Part no.	
<b>Double seat mix proof valve D4 SL Control unit and adapter</b>											
<b>CU4 adapter D4 SL</b>											
34	1	CU4 D4 adapter cmpl.	/	PA 6.6 GF30 black	H337098						
<b>CU4 Control Units</b>											
35	1	CU43 D4 DC	6mm	PA 6.6 GF30 black	H336955						
	1	CU43 D4 M12 DC	6mm	PA 6.6 GF30 black	H341343						
	1	CU43 D4 AS-i Ext.	6mm	PA 6.6 GF30 black	H336957						
	1	CU43 D4 M12 AS-i Ext.	6mm	PA 6.6 GF30 black	H338897						
	1	CU43 D4 AS-i Std.	6mm	PA 6.6 GF30 black	H338152						
	1	CU43 D4 M12 AS-i Std.	6mm	PA 6.6 GF30 black	H338899						
	1	CU43 D4 DC	1/4" OD	PA 6.6 GF30 black	H336960						
	1	CU43 D4 M12 DC	1/4" OD	PA 6.6 GF30 black	H341352						
	1	CU43 D4 AS-i Ext.	1/4" OD	PA 6.6 GF30 black	H336962						
	1	CU43 D4 M12 AS-i Ext.	1/4" OD	PA 6.6 GF30 black	H338901						
	1	CU43 D4 AS-i Std.	1/4" OD	PA 6.6 GF30 black	H338153						
	1	CU43 D4 M12 AS-i Std.	1/4" OD	PA 6.6 GF30 black	H338903						
<b>CU4 Control Units</b>											
34	1	CU43plus D4 V2 AS-i Ext.	6mm	PA 6.6 GF30 black	H338822						
	1	CU43plus D4 V2 M12 AS-i Ext.	6mm	PA 6.6 GF30 black	H338867						
	1	CU43plus-D4-M12 IO-LINK	6mm	PA 6.6 GF30 black	H345134						
	1	CU43plus-D4-M12 AS-i V5	6mm	PA 6.6 GF30 black	H348035						
	1	CU43plus-D4-M12 Direct Connect	6mm	PA 6.6 GF30 black	H342472						
	1	CU43plus-D4-Direct Connect	6mm	PA 6.6 GF30 black	H342452						
	1	CU43plus-D4-M12 IO-LINK	1/4" OD	PA 6.6 GF30 black	H345135						
	1	CU43plus-D4-M12 AS-i V5	1/4" OD	PA 6.6 GF30 black	H348036						
	1	CU43plus D4 V2 AS-i Ext.	1/4" OD	PA 6.6 GF30 black	H338826						
	1	CU43plus D4 V2 M12 AS-i Ext.	1/4" OD	PA 6.6 GF30 black	H338871						
	1	CU43plus-D4-M12 Direct Connect	1/4" OD	PA 6.6 GF30 black	H342473						
	1	CU43plus-D4-Direct Connect	1/4" OD	PA 6.6 GF30 black	H342453						

Date: 16.3.18 11.10.19 08.02.24  
 Name: C.Keil Size-Si: N.Shre  
 Approved by: \_\_\_\_\_  
 Date: \_\_\_\_\_  
 Name: \_\_\_\_\_  
 Approved by: \_\_\_\_\_

**SPX FLOW**

Page 12 of 12  
**RN 501.047.01**

Information contained in this document is subject to change without notice and does not represent a commitment on the part of SPX FLOW, Inc.. No part of this document may be reproduced or transmitted in any form or by any means, electronic or mechanical, including photocopying and recording, for any

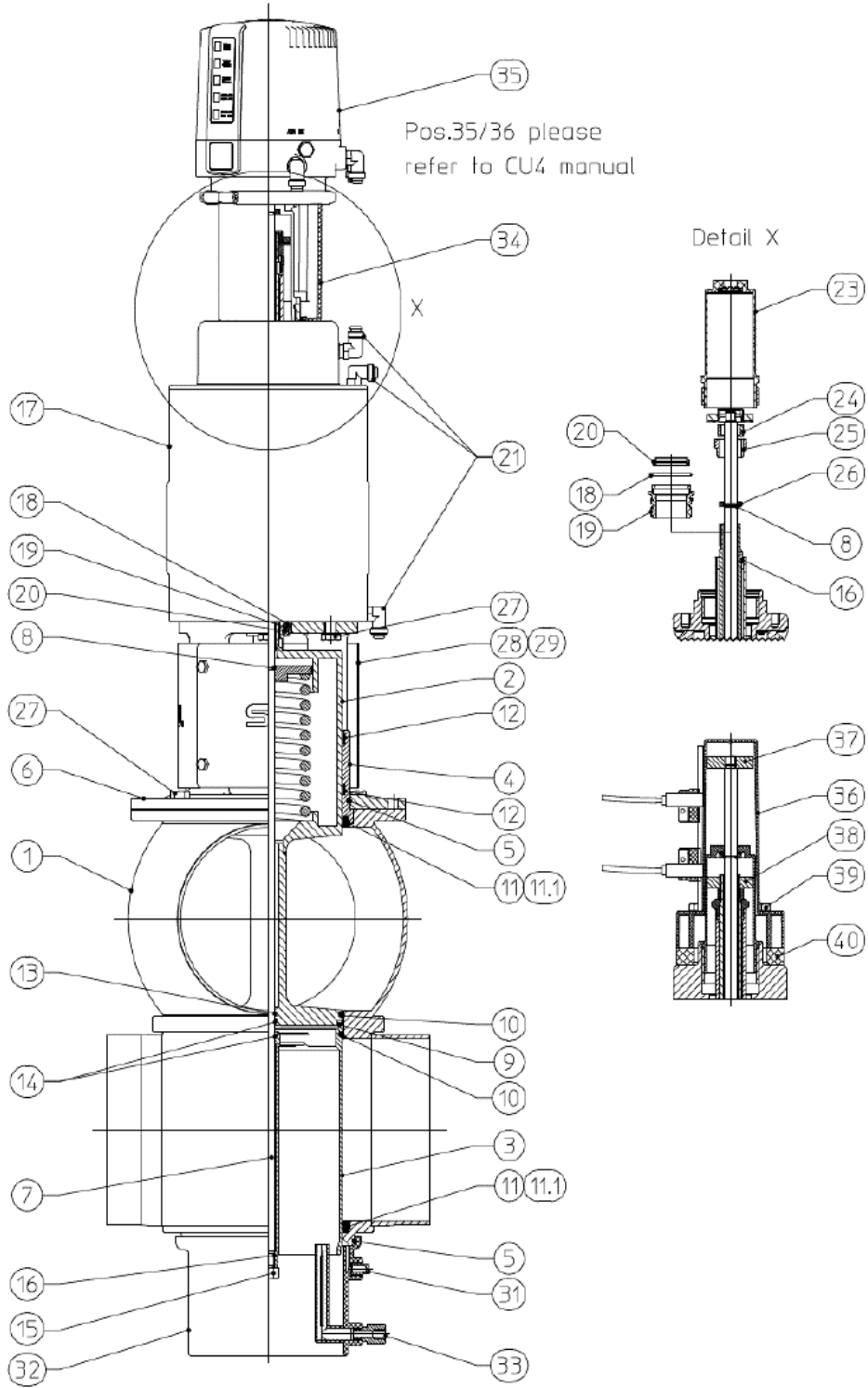
Spare parts list:

Double seat mix proof valve D4 SL 125-150-6"

Date:	11.10.19	10.06.20	08.02.24
Name:	Size-Si.	C. Keil	N. Shre
Approved by:			
Date:			
Name:			
Approved by:			

SPX FLOW

Page 1 of 8  
RN 501.047.03



Information contained in this document is subject to change without notice and does not represent a commitment on the part of SPX FLOW, Inc.. No part of this document may be reproduced or transmitted in any form or by any means, electronic or mechanical, including photocopying and recording, for any

**Spare parts list:**

**Double seat mix proof valve D4 SL 125-150-6"**  
**DN 125**

<b>Date:</b>	11.10.19 08.02.24
<b>Name:</b>	Size-Si. N.Shre
<b>Approved by:</b>	
<b>Date:</b>	
<b>Name:</b>	
<b>Approved by:</b>	

Page 2 of 8  
**RN 501.047.03**

**SPX FLOW**

Item	Description	Included in spare parts (Pos.)	Material	Part no.	Quantity	Description	Included in spare parts (Pos.)	Material	Part no.
	D41 / 1-6		1.4404	H340122	2	V-seal		NBR	H334379
	D41 / 1-7		1.4404	H340123	3	W-union G1/8" Ø6mm		hard nickel-plated	H208825
	D41 / 1-8		1.4404	H340124	22				
1	Housing		1.4404	H340121	23	Stop screw		Grivory	H334382
	D42		1.4404	H340120	24	Lock washer D4		1.4301	H335172
	D43		1.4404	H340119	25	Safety nut D3		1.4301	H147640
	D44		1.4404	H340119	26	Thrust ring		1.4057	H123151
2	Upper valve shaft	13,16,25	1.4404	H341269	1				
3	Lower valve shaft		1.4404	H340230	8	Hex. screw M10 x 20		A2	H340472
4	Shaft bearing		1.4404	H340243	1	Yoke cover D4	29	1.4301	H341313
5	O-ring		EPDM	H77074	4	Savetix head screw M6 x 8 washer M6 as set		1.4301	H340632
6	Yoke		1.4301	H340244	30				
7	Guide rod	8,15,16	1.4404	H341298	1	Venting plug G-1/8"		PE-Hard	H16507
8	Retainer ring		1.4310	H14883	1	Spray connection DE3		PP	H178450
9	Middle seal		EPDM	H340247	1	G-union 10/8-G 1/4" with supp. Sleeve cpl.		1.4571	H329696
			HNBR	H340248	1				
			FPM	H340294	1				
10	Seat seal		EPDM	H173940	1	CU4 , CU4plus adapter cmpl.		PA6.6 GF30 black	See page 8
			HNBR	H173939	1				
			FPM	H340246	1	CU43 , CU43plus .		PA6.6 GF30 black	See page 8
11	Seat seal		EPDM	H77611	1	Prox. switch holder D4 cmpl.		PA 6.6 GF30 black	H336751
			HNBR	H170178	1	Operating cam D4 bottom		1.4523 / 444FR	H334386
			FPM	H77610	1	Operating cam D4 top		1.4523 / 444FR	H334387
11.1	PTFE Shaft seal		PTFE	H340295	4	Hex. screw		A2-70	H336675
12	Guide ring		Iglidur A500	H340198	1	Spacer		PA 6.6 GF30 black	
13	Guide band		Acoflon	H334865					
14	Quad ring	12,37x 2,62	EPDM	H311646					
15	Lock nut M10x1		A2	H118903					
16	Square key DIN6885 - A - 3x3x10		A2	H335171					
17	Actuator	18,19,20	1.4301	H340197					
18	O-ring	30 x 2,5	NBR	H337897					
19	Actuator screw		Iglidur J350	H334376					





Information contained in this document is subject to change without notice and does not represent a commitment on the part of SPX FLOW, Inc.. No part of this document may be reproduced or transmitted in any form or by any means, electronic or mechanical, including photocopying and recording, for any

Item		Description	Included in spare parts (Pos.)	Material	Part no.	Quantity	Spare parts list:		Item	Quantity	Description	Included in spare parts (Pos.)	Material	Part no.
									20	2	V-seal		NBR	H334379
									21	3	W-union G1/8" Ø6mm		hard nickel-plated	H208825
									22					
1	1	Housing		1.4404	H340135				23	1	Stop screw		Grivory	H334382
				1.4404	H340136				24	1	Lock washer D4		1.4301	H335172
				1.4404	H340137				25	1	Safety nut D3		1.4301	H147640
				1.4404	H340138				26	1	Thrust ring		1.4057	H123151
2	1	Upper valve shaft	13,16,25	1.4404	H341270				27	8	Hex. screw M10 x 20		A2	H340472
3	1	Lower valve shaft		1.4404	H340311				28	1	Yoke cover D4	29	1.4301	H341314
4	1	Shaft bearing		1.4404	H340322				29	4	Savetix head screw M6 x 8 washer M6 as set		1.4301	H340632
5	2	O-ring		EPDM	H77081				30					
6	1	Yoke		1.4301	H340323				31	1	Venting plug G-1/8"		PE-Hard	H16507
7	1	Guide rod	8,15,16	1.4404	H341299				32	1	Spray connection DE3		PP	H200320
8	2	Retainer ring		1.4310	H14883				33	1	G-union 10/8-G1/4" with supp. Sleeve cpl.		1.4571	H329696
9	1	Middle seal		EPDM	H340325				34	1	CU4 , CU4plus adapter cmpl.		PA6.6 GF30 black	See page 8
				HNBR	H340326				35	1	CU43 , CU43plus .		PA6.6 GF30 black	See page 8
				FPM	H340327				36	1	Prox. switch holder D4 cmpl.		PA 6.6 GF30 black	H336751
10	2	Seat seal		EPDM	H173739				37	1	Operating cam D4 bottom		1.4523 / 444FR	H334386
				HNBR	H173738				38	1	Operating cam D4 top		1.4523 / 444FR	H334387
				FPM	H338070				39	4	Hex. screw		A2-70	H340751
11	2	Seat seal		EPDM	H77628				40	1	Spacer		PA 6.6 GF30 black	H340179
				HNBR	H170177									
				FPM	H77627									
11.1	2	PTFE Shaft seal		PTFE	H340328									
12	2	Guide ring		Iglidur A500	H340182									
13	1	Guide band		Acoflon	H334865									
14	2	Quad ring	12,37x 2,62	EPDM	H311646									
15	1	Lock nut M10x1		A2	H118903									
16	2	Square key DIN6885 - A - 3x3x10		A2	H335171									
17	1	Actuator	18,19,20	1.4301	H340181									
18	2	O-ring	30 x 2,5	NBR	H337897									
19	2	Actuator screw		Iglidur J350	H334376									

Spare parts list:

Double seat mix proof valve D4 SL 125-150-6"  
DN 150

Date: 11.10.19 08.02.24

Name: Size-Si. N.Shre

Approved by:

Date:

Name:

Approved by:

Page 4 of 8

RN 501.047.03

SPX FLOW



Information contained in this document is subject to change without notice and does not represent a commitment on the part of SPX FLOW, Inc.. No part of this document may be reproduced or transmitted in any form or by any means, electronic or mechanical, including photocopying and recording, for any

Spare parts list:		Date:	11.10.19	08.02.24	SPX FLOW	
		Name:	Size-Si.	N.Shre		
Double seat mix proof valve D4 SL 125-150-6" 6"		Approved by:			Page 6 of 8 RN 501.047.03	
		Date:				
		Name:				
		Approved by:				

Item	Quantity	Description	Included in spare parts (Pos.)	Material	Part no.	Item	Quantity	Description	Included in spare parts (Pos.)	Material	Part no.
		D41 / 1-6		1.4404	H340141	20	2	V-seal		NBR	H334379
		D41 / 1-7		1.4404	H340142	21	3	W-union G1/8" Ø6mm		hard nickel-plated	H208825
		D41 / 1-8		1.4404	H340143	22					
1	1	Housing		1.4404	H340140	23	1	Stop screw		Grivory	H334382
		D42		1.4404	H340139	24	1	Lock washer D4		1.4301	H335172
		D43		1.4404	H340138	25	1	Safety nut D3		1.4301	H147640
		D44		1.4404	H340138	26	1	Thrust ring		1.4057	H123151
2	1	Upper valve shaft	13,16,25	1.4404	H341270	27	8	Hex. screw M10 x 20		A2	H340472
3	1	Lower valve shaft		1.4404	H340311	28	1	Yoke cover D4	29	1.4301	H341314
4	1	Shaft bearing		1.4404	H340322	29	4	Savetix head screw M6 x 8 washer M6 as set		1.4301	H340632
5	2	O-ring		EPDM	H77081	30					
6	1	Yoke		1.4301	H340323	31	1	Venting plug G-1/8"		PE-Hard	H16507
7	1	Guide rod	8,15,16	1.4404	H341299	32	1	Spray connection DE3		PP	H200320
8	2	Retainer ring		1.4310	H14883	33	1	G-union 10/8-G1/4" with suppl. Sleeve cpl.		1.4571	H329696
9	1	Middle seal		EPDM	H340325	34	1	CU4 , CU4plus adapter cmpl.		PA6.6 GF30 black	See page 8
				HNBR	H340326	35	1	CU43 , CU43plus .		PA6.6 GF30 black	See page 8
				FPM	H340327	36	1	Prox. switch holder D4 cmpl.		PA 6.6 GF30 black	H336751
10	2	Seat seal		EPDM	H173739	37	1	Operating cam D4 bottom		1.4523 / 444FR	H334386
				HNBR	H173738	38	1	Operating cam D4 top		1.4523 / 444FR	H334387
				FPM	H338070	39	4	Hex. screw		A2-70	H340751
11	2	Seat seal		EPDM	H77628	40	1	Spacer		PA 6.6 GF30 black	H340179
				HNBR	H170177						
				FPM	H77627						
11.1	2	PTFE Shaft seal		PTFE	H340328						
12	2	Guide ring		Iglidur A500	H340182						
13	1	Guide band		Acoflon	H334865						
14	2	Quad ring	12,37x 2,62	EPDM	H311646						
15	1	Lock nut M10x1		A2	H118903						
16	2	Square key DIN6885 - A - 3x3x10		A2	H335171						
17	1	Actuator	18,19,20	1.4301	H340181						
18	2	O-ring	30 x 2,5	NBR	H337897						
19	2	Actuator screw		Iglidur J350	H334376						



Information contained in this document is subject to change without notice and does not represent a commitment on the part of SPX FLOW, Inc.. No part of this document may be reproduced or transmitted in any form or by any means, electronic or mechanical, including photocopying and recording, for any

Item		Quantity		Description		Air connections		Material		Part no.	
<b>Double seat mix proof valve D4 SL Control unit and adapter</b>											
<b>CU4 adapter D4 SL</b>											
34	1	CU4 D4 adapter cmpl.	/	PA 6.6 GF30 black							H337098
<b>CU4 plus adapter D4 SL</b>											
34	1	CU4plus D4 V2 adapter cmpl.		PA6.6 GF30 black							H341891
<b>CU4 Control Units</b>											
35	1	CU43 D4 DC	6mm	PA 6.6 GF30 black							H336955
	1	CU43 D4 M12 DC	6mm	PA 6.6 GF30 black							H341343
	1	CU43 D4 AS-i Ext.	6mm	PA 6.6 GF30 black							H336957
	1	CU43 D4 M12 AS-i Ext.	6mm	PA 6.6 GF30 black							H338897
	1	CU43 D4 AS-i Std.	6mm	PA 6.6 GF30 black							H338152
	1	CU43 D4 M12 AS-i Std.	6mm	PA 6.6 GF30 black							H338899
	1	CU43 D4 DC	1/4" OD	PA 6.6 GF30 black							H336960
	1	CU43 D4 M12 DC	1/4" OD	PA 6.6 GF30 black							H341352
	1	CU43 D4 AS-i Ext.	1/4" OD	PA 6.6 GF30 black							H336962
	1	CU43 D4 M12 AS-i Ext.	1/4" OD	PA 6.6 GF30 black							H338901
	1	CU43 D4 AS-i Std.	1/4" OD	PA 6.6 GF30 black							H338153
	1	CU43 D4 M12 AS-i Std.	1/4" OD	PA 6.6 GF30 black							H338903
<b>CU4 Control Units</b>											
35	1	CU43plus D4 V2 AS-i Ext.	6mm	PA 6.6 GF30 black							H338822
	1	CU43plus D4 V2 M12 AS-i Ext.	6mm	PA 6.6 GF30 black							H338867
	1	CU43plus-D4-M12 IO-LINK	6mm	PA 6.6 GF30 black							H345134
	1	CU43plus-D4-M12 AS-i V5	6mm	PA 6.6 GF30 black							H348035
	1	CU43plus-D4-M12 Direct Connect	6mm	PA 6.6 GF30 black							H342472
	1	CU43plus-D4-Direct Connect	6mm	PA 6.6 GF30 black							H342452
	1	CU43plus-D4-M12 IO-LINK	1/4" OD	PA 6.6 GF30 black							H345135
	1	CU43plus-D4-M12 AS-i V5	1/4" OD	PA 6.6 GF30 black							H348036
	1	CU43plus D4 V2 AS-i Ext.	1/4" OD	PA 6.6 GF30 black							H338826
	1	CU43plus D4 V2 M12 AS-i Ext.	1/4" OD	PA 6.6 GF30 black							H338871
	1	CU43plus-D4-M12 Direct Connect	1/4" OD	PA 6.6 GF30 black							H342473
	1	CU43plus-D4-Direct Connect	1/4" OD	PA 6.6 GF30 black							H342453

Spare parts list:

Date:	11.10.19	08.02.24
Name:	Size-Si.	N.Shre
Approved by:		
Date:		
Name:		
Approved by:		

SPX FLOW

Page 8 of 8  
RN 501.047.03



# APV D4 / D4 SL

DOUBLE SEAT MIX PROOF VALVES



## SPX FLOW

### Design Center

Gottlieb-Daimler-Straße 13  
D-59439 Holzwickede, Germany  
P: (+49) (0) 2301-9186-0  
F: (+49) (0) 2301-9186-300

## SPX FLOW, inc.

### Production

611 Sugar Creek Road  
Delavan, WI 53115, USA  
P: (+1) 262 728 1900 or (800) 252 5200  
F: (+1) 262 728 4904 or (800) 252 5012  
E: [wcb@spxflow.com](mailto:wcb@spxflow.com)

## SPX FLOW

### Production

Stanisława Jana Rolbieskiego 2  
PL- Bydgoszcz 85-862, Poland  
P: (+48) 52 566 76 00  
F: (+48) 52 525 99 09

## SPX FLOW

### Production

Fengjin Road No.666  
Nanqiao Zhen, Fengxian, Shanghai China  
P: (+86) 21 6715 8181  
F: (+86) 21 6715 8282

SPX FLOW reserves the right to incorporate the latest design and material changes without notice or obligation.

Design features, materials of construction and dimensional data, as described in this manual, are provided for your information only and should not be relied upon unless confirmed in writing. Please contact your local sales representative for product availability in your region. For more information visit [www.spxflow.com](http://www.spxflow.com).